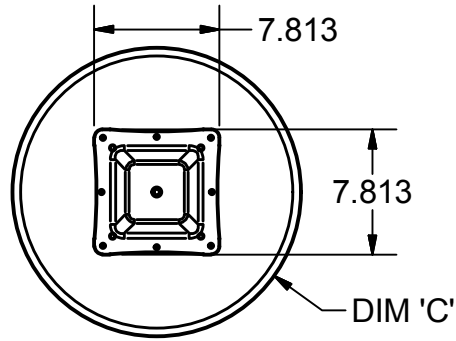
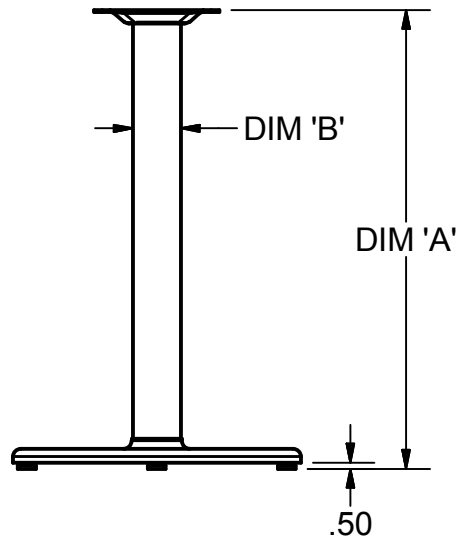


BK-XRTB2-XX
- TOP VIEW
 Scale = 1:12



BK-XRTB2-XX
- FRONT VIEW
 Scale = 1:12



BK-XRTB2-XX -
ISO VIEW
 Scale = 1:12

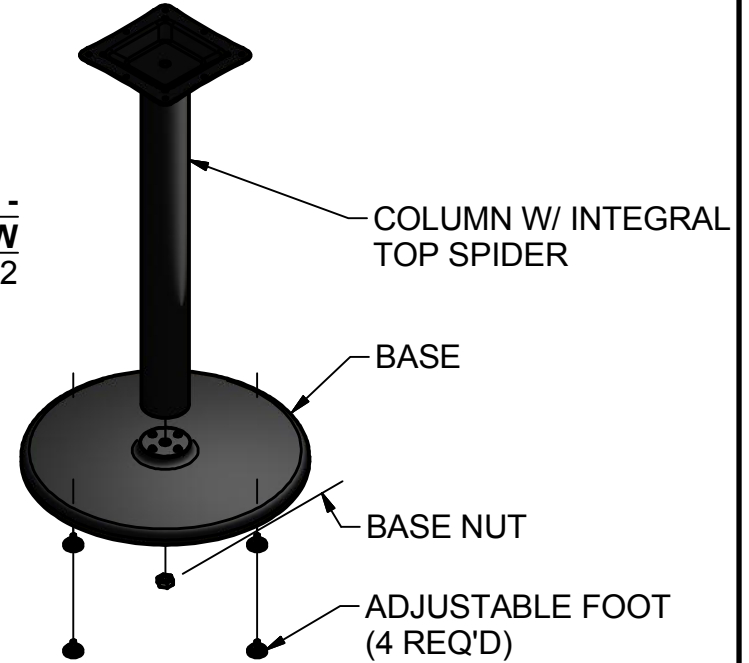


TABLE				
PART NO	DIM 'A'	DIM 'B'	DIM 'C'	REMARKS
BK-BRTB2-18	28.50	3.00	18.00	
BK-DRTB2-18	41.50	3.00	18.00	
BK-BRTB2-22	28.50	4.00	22.00	
BK-DRTB2-22	41.50	4.00	22.00	
BK-BRTB2-30	28.50	4.00	30.00	
BK-DRTB2-30	41.50	4.00	30.00	

GENERAL NOTES:

- 1.) Units of Measure: Inches [Millimeters]
- 2.) Content is exclusive property of BK Resources. This may not be replicated or distributed without the written consent of BK Resources.
- 3.) Material: Cast steel
- 4.) Finish: Black Powder Coat
- 5.) Tolerance: (+/-) 0.15mm

DRAWN	Jacob.Doedtman	3/29/2014
CHECKED		
QA		
MFG		
APPROVED		
SIZE	A	
SCALE	As Noted	



RESOURCES

120 Frontage Rd.
 Altamont, IL 62411

TITLE

MODEL:
BK-XRTB2-XX
2-PC ROUND TABLE BASE

SIZE	A	DWG NO	BK-XRTB2-XX	REV	
------	---	--------	-------------	-----	--

SCALE	As Noted	SHEET 1 OF 1
-------	----------	--------------