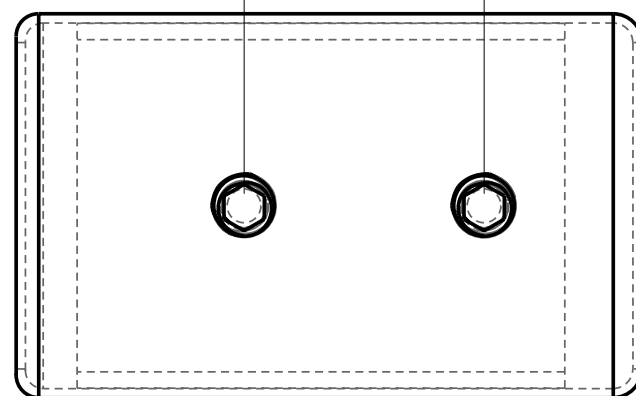
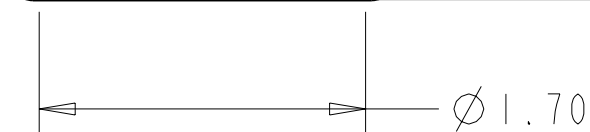


SCALE 1.000

1.25



HAND WARE- PLUMBING & COMMERCIAL COMPONENTS & SUPPLIES
SINKS * WASHING * DRAINAGE * EQUIPMENT * SUPPLIES

MODEL #: BK-DBLS-2

DESCRIPTION:

MATERIAL:

DATE:

DRAFTER:

SCALE: 6"=1"-0"

APPROVED BY:

REVISIONS	DATE

BK Resources
 1609 WEST WERNING AVE., SUITE D
 EFFINGHAM, IL 62401
 (888)310-4393 / FAX (888)310-4394
 EMAIL: sales@bk-resources.com
 VISIT OUR WEBSITE
 www.bk-resources.com

Dimensions subject to change without prior notification. This illustration is the exclusive property of BK Resources. It may not be distributed in any manner with out the express consent of BK Resources