



RESOURCES

2 Compartment - 10" x 14" x 10" Drop In Sink

Drop In Sinks

Certifications:



Shown as BK-DIS-1014-2



Use your smart phone to scan the above QR code to visit our website: www.bk-resources.com

Features:

- Includes BKDR-4 Drains
- Faucet Holes 4" O.C.
- "-P-G" Includes BKD-5G-G Faucet

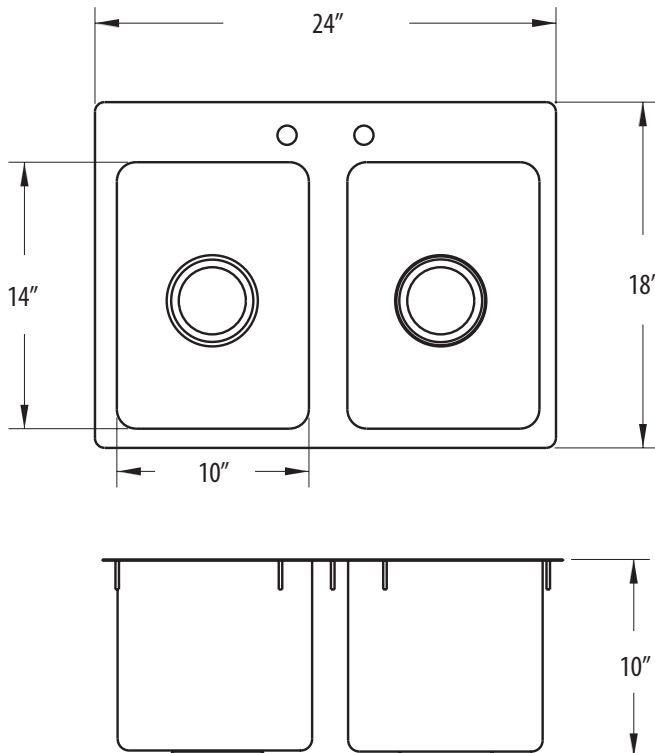
Material:

- T-304 18 ga. Stainless Steel

Options:

- 4" O.C. Faucets
- Upgrade to Heavy Duty Faucets
- Wrist Blades

Part Number	Unit Size (l x w x d)	Bowl Size (l x w x d)	Included Faucet	Recommended Cutout Size (l x w)
BK-DIS-1014-2	24" x 18" x 10"	10" x 14" x 10"	-	17 1/8" x 23"
BK-DIS-1014-2-P-G	24" x 18" x 10"	10" x 14" x 10"	BKD-5G-G	17 1/8" x 23"



PRODUCT DATA SHEET

BK RESOURCES

