

**BK-XXTB2-XXXX**  
- ISO VIEW  
Scale = 1:12

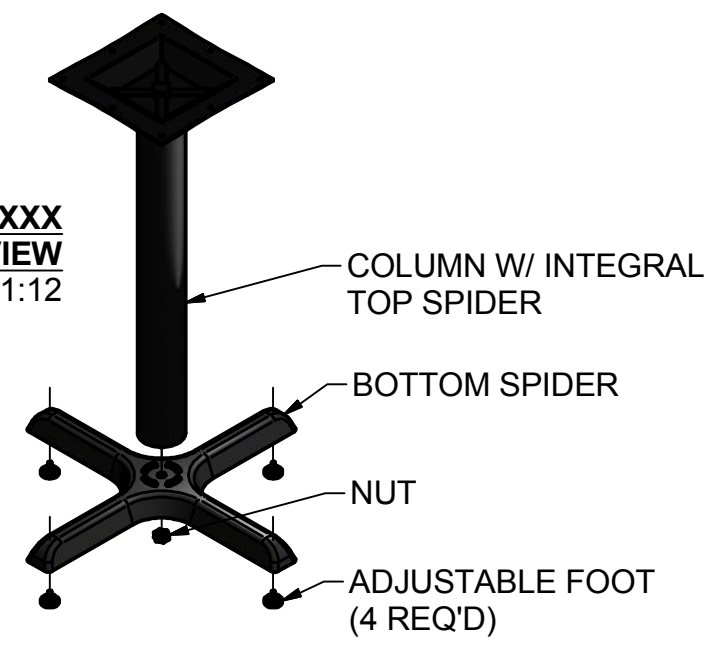


TABLE					
PART NO	DIM 'A'	DIM 'B'	DIM 'C'	DIM 'D'	REMARKS
BK-BXTB2-2222	28.50	3.00	22.00	22.00	
BK-DXTB2-2222	41.50	3.00	22.00	22.00	
BK-BXTB2-2430	28.50	3.00	24.00	30.00	
BK-DXTB2-2430	41.50	3.00	24.00	30.00	
BK-BXTB2-3030	28.50	3.00	30.00	30.00	
BK-DXTB2-3030	41.50	3.00	30.00	30.00	

- GENERAL NOTES:**
- Units of Measure: Inches [Millimeters]
  - Content is exclusive property of BK Resources. This may not be replicated or distributed without the written consent of BK Resources.
  - Material: Cast steel
  - Finish: Black Powder Coat
  - Tolerance: (+/-) 0.15mm

DRAWN	Jacob.Doedtman	3/29/2014
CHECKED		
QA		
MFG		
APPROVED		

**BK** RESOURCES 120 Frontage Rd.  
Altamont, IL 62411

TITLE

**MODEL:**  
**BK-XXTB2-XXXX**  
**2-PC TABLE BASE**

SIZE	A	DWG NO	BK-XXTB2-XXXX	REV	
SCALE	As Noted	SHEET 1 OF 1			