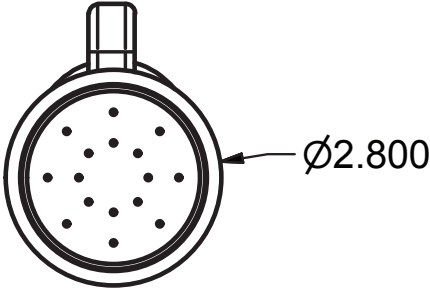
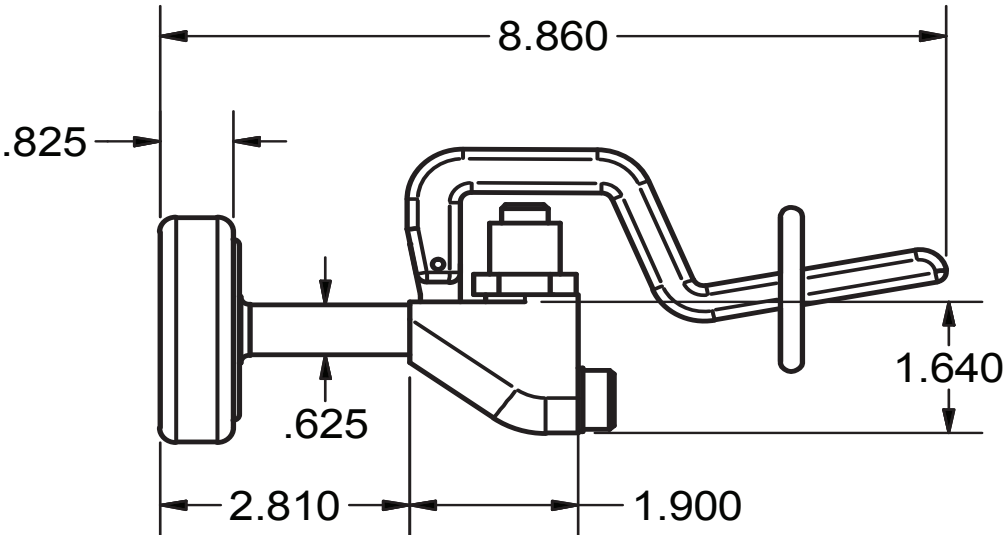
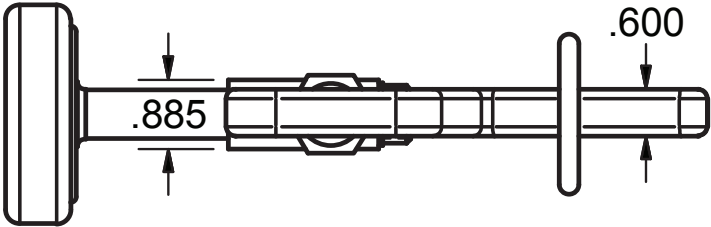




Use your smart phone to scan the above QR code to visit our website: [www.bk-resources.com](http://www.bk-resources.com)

# Spray Valve

Model: BK-PRV-G, Lead Free



### Certifications:



PRODUCT SPECIFICATION SHEET

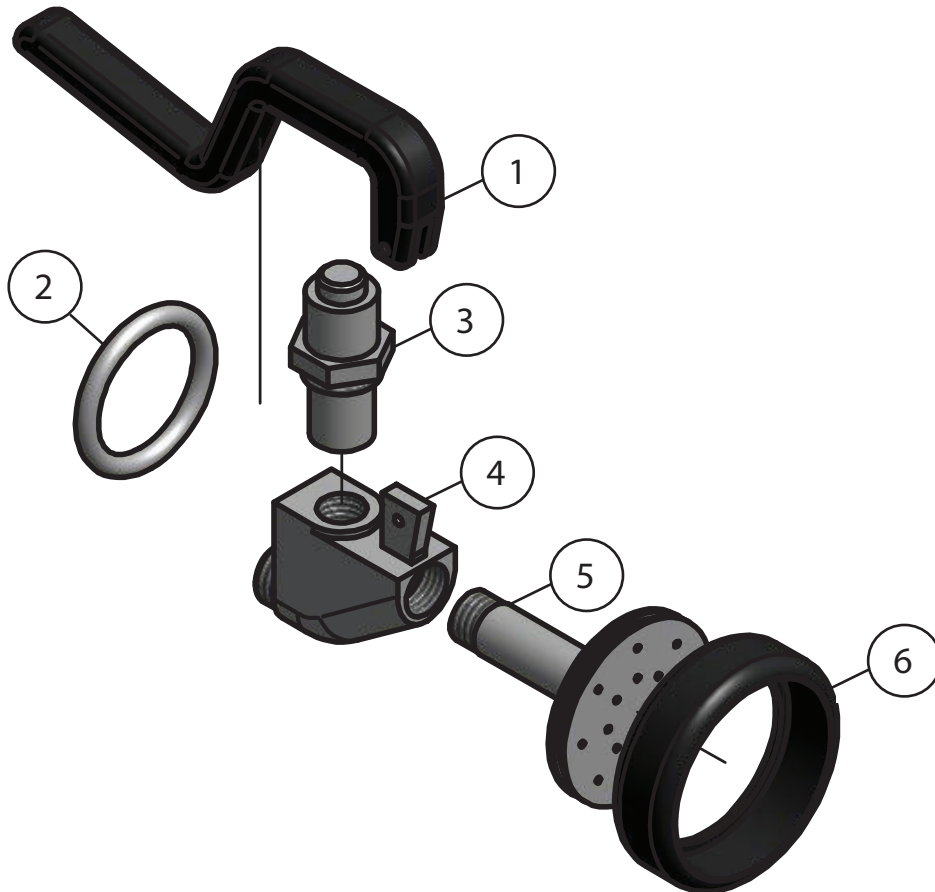
RESOURCES





## Spray Valve

Model: BK-PRV-G, Lead Free



### Exploded Parts Detail:

Diagram #	Quantity	Part Number	Description
1	1	PRV-G-H	Handle
2	1	PRV-G-R	Restraining Ring
3	1	BKKV-010XST	Valve
4	1	PRV-G	Spray Head Body
5	1	PRV-G-SH	Spray Head
6	1	PRV-G-B	Bumper Ring