



RESOURCES

Stainless Steel Utility Carts



Use your smart phone to scan the above QR code to visit our website: www.bk-resources.com

Certifications:



BKC-1524S-3S &
BKC-1827-3S



BKC-2133S-2H

Features:

- 300 lbs. Weight Cap. - Evenly Distributed
- Includes: (4) 3 1/2" Swivel Casters, (2) w/Brakes
- 3 Shelves

Material:

- 20 ga. Standard Duty
- All Welded Construction

Features:

- 700 lbs. Weight Cap. - Evenly Distributed
- Includes: (2) 3 1/2" Swivel Casters, (2) Fixed Casters
- 2 Shelves with Hemmed Edge on 3 Sides
- Wall Protecting Bumpers

Material:

- 18 ga. Heavy Duty
- All Welded Construction

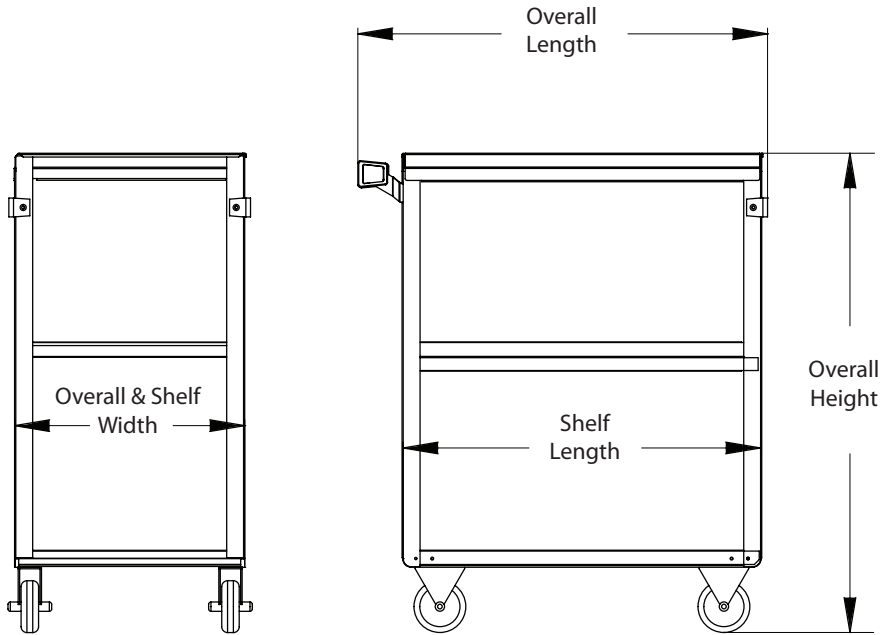
Part Number	Overall Size: (l x w x h)	Shelf Size: (l x w)	# of Shelves	Weight Cap.	Grade
BKC-1524S-3S	27 1/2" x 15 1/2" x 32 1/8"	24" x 15 1/2"	3	300 lb.	Standard
BKC-1827S-3S	30 3/4" x 18" x 33"	27" x 18"	3	300 lb.	Standard
BKC-2133S-2H	38 3/8" x 21" x 37 1/8"	33" x 21"	2	700 lb.	Heavy Duty

PRODUCT DATA SHEET

RESOURCES



1524 & 1827 Series



2133 Series

