



# Clean Dish Tables

## Dish Tables



Use your smart phone to scan the above QR code to visit our website:  
[www.bk-resources.com](http://www.bk-resources.com)



### Certifications:



### Features:

- 1 5/8" Rolled Edge
- 10" Backsplash
- Front to Back End Bracing
- 30 7/8" O.A. Front to Back

### Options:

- S/S Slant Rack Shelf
- Upgraded Bullet Feet

### Material:

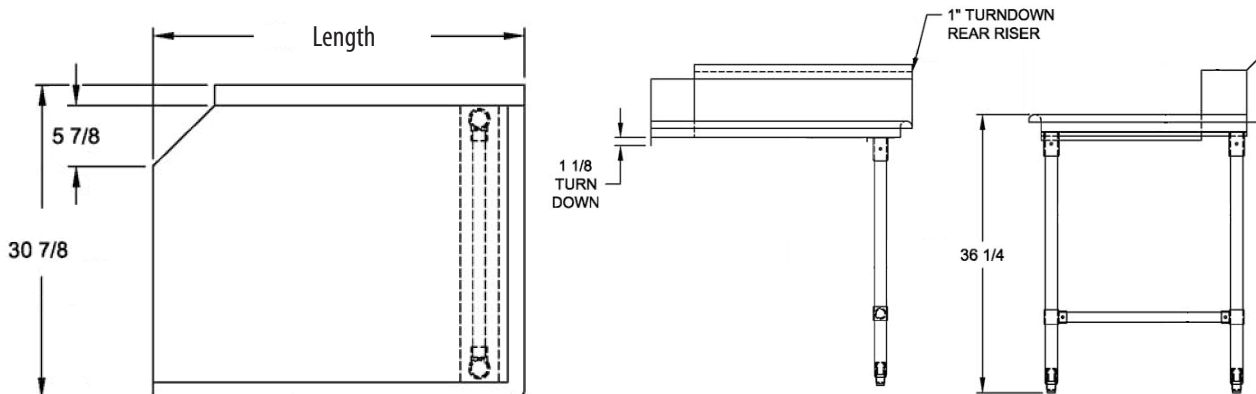
#### S Series: S/S w/ Stainless Steel Legs & Bracing

- T-304 18 ga. Stainless Steel Top
- Stainless Steel Legs & Bracing
- Adjustable S/S Over Plastic Bullet Feet

#### G Series: S/S w/ Galvanized Legs & Bracing

- T-304 18 ga. Stainless Steel Top
- Galvanized Legs & Bracing
- Adjustable High Impact Corrosion Resistant Feet

S Series S/S w/ S/S Legs & Bracing		G Series S/S w/ Galv. Legs & Bracing		Table Side
Length	T-304 S/S 30 7/8" Width	T-304 S/S 30 7/8" Width		
26"	BKCDT-26-R-SS	BKCDT-26-R		Right
	BKCDT-26-L-SS	BKCDT-26-L		Left
36"	BKCDT-36-R-SS	BKCDT-36-R		Right
	BKCDT-36-L-SS	BKCDT-36-L		Left
48"	BKCDT-48-R-SS	BKCDT-48-R		Right
	BKCDT-48-L-SS	BKCDT-48-L		Left
60"	BKCDT-60-R-SS	BKCDT-60-R		Right
	BKCDT-60-L-SS	BKCDT-60-L		Left
72"	BKCDT-72-R-SS	BKCDT-72-R		Right
	BKCDT-72-L-SS	BKCDT-72-L		Left



PRODUCT DATA SHEET

BK RESOURCES

