



# Cabinet Base Work Tables

*Stainless Steel Cabinet Base Tables  
With Sliding Doors*



Use your smart phone to scan the above QR code to visit our website:  
[www.bk-resources.com](http://www.bk-resources.com)

## Certifications:



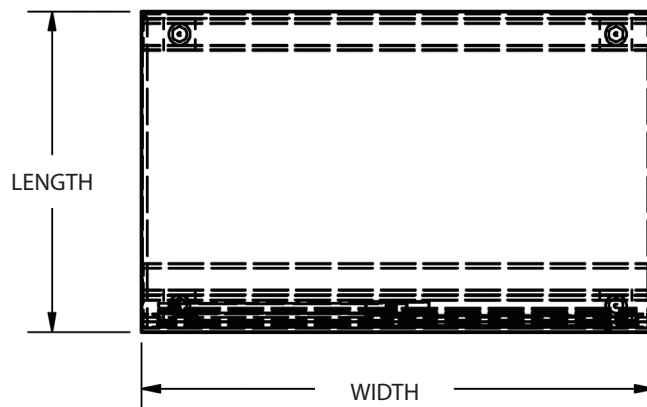
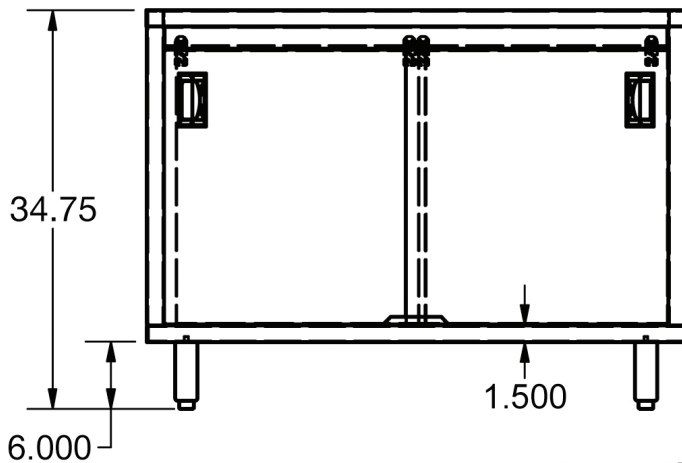
## Features:

- 1 5/8" x 6" Straight S/S Leg
- Legs Adjust 1" in Height
- Truck Line Only

## Material:

- T-304 18 ga. Stainless Steel
- Stainless Steel Legs & Feet

Length	24" Width with Sliding Doors	30" Width with Sliding Doors
48"	BKDC-2448S	BKDC-3048S
60"	BKDC-2460S	BKDC-3060S
72"	BKDC-2472S	BKDC-3072S



PRODUCT DATA SHEET

BK RESOURCES

