



Drawer Assembly Without Spacers

**Stainless Steel Drawer Assembly
For Wood Tables**



Use your smart phone to scan the above QR code to visit our website:
www.bk-resources.com

Certifications:



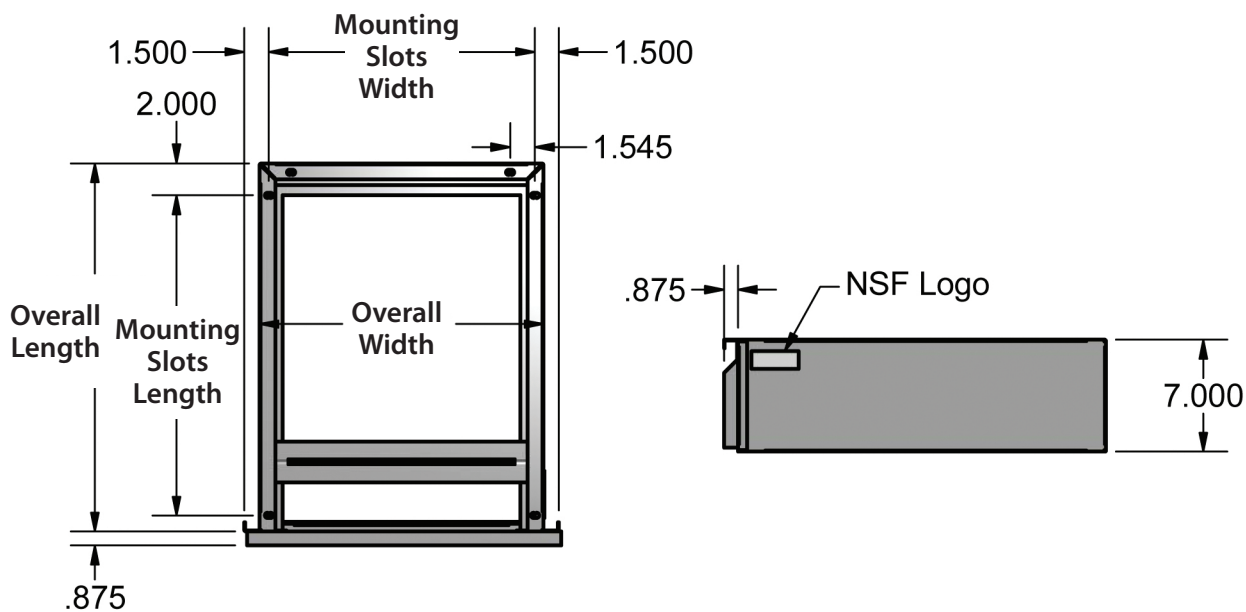
Features:

- ADA Compliant
- 200 lb Capacity
- Pan Easily Removes For Cleaning
- 5" Deep Pans

Options:

- Drawer Assemblies w/ Spacers are designed to be used with Metal Tables, w/out Spacers are to be used with Wood Tables
- 20 x 20 and 20 x 15 fit both 24" and 30" table depths
- 18 x 20 will only fit the 18" table depths

Part Number	NSF	Drawer Pan Size (l x w)	Overall Width	Mounting Slots Width	Overall Length	Mounting Slots Spacing Length	Add-Ons	Pan Material
BKDWR-1820-ASSY-SS	✓	15" x 20"	23 1/2"	22 3/8"	17 1/2"	10"	None	S/S
BKDWR-1820-ASSY-L-SS	✓	15" x 20"	23 1/2"	22 3/8"	17 1/2"	10"	Locking	S/S
BKDWR-2020-ASSY-SS	✓	20" x 20"	23 3/8"	22 1/4"	23"	20"	None	S/S
BKDWR-2015-ASSY-SS	✓	20" x 15"	17 7/8"	16 5/8"	23"	19 1/2"	None	S/S
BKDWR-2020-ASSY-L-SS	✓	20" x 20"	23 3/8"	22 1/4"	23"	20"	Locking	S/S
BKDWR-2015-ASSY-L-SS	✓	20" x 15"	17 7/8"	16 5/8"	23"	19 1/2"	Locking	S/S
BKDWR-2020-ASSY-PL		20" x 20"	23 3/8"	22 1/4"	23"	20"	None	Plastic
BKDWR-2015-ASSY-PL		20" x 15"	17 7/8"	16 5/8"	23"	19 1/2"	None	Plastic
BKDWR-2020-ASSY-L-PL		20" x 20"	23 3/8"	22 1/4"	23"	20"	Locking	Plastic
BKDWR-2015-ASSY-L-PL		20" x 15"	17 7/8"	16 5/8"	23"	19 1/2"	Locking	Plastic



PRODUCT DATA SHEET

BK RESOURCES

