



Drawer Assembly With Spacer

Stainless Steel Drawer Assembly For Metal Tables



Use your smart phone to scan the above QR code to visit our website:
www.bk-resources.com



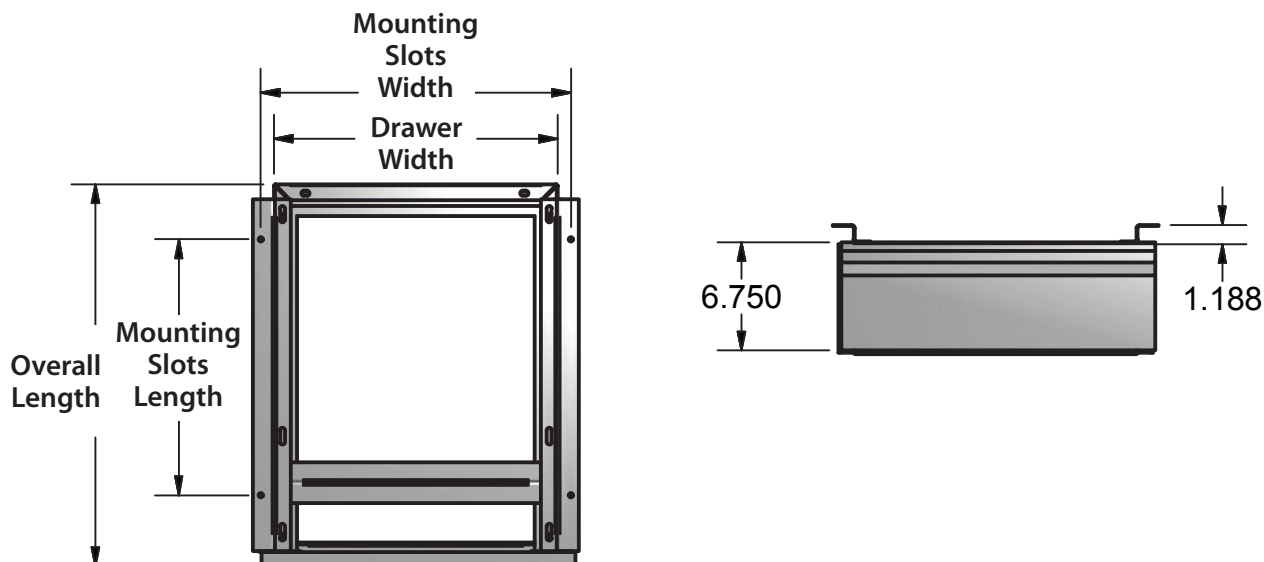
Features:

- ADA Compliant
- 200 lb Capacity
- Pan Easily Removes For Cleaning
- 5" Deep Pans

Options:

- Drawer Assemblies w/ Spacers are designed to be used with BK Resources' Metal Tables
- 20 x 20 and 20 x 15 fit both 24" and 30" table depths
- 18 x 20 will only fit the 18" depth Tables

Part Number	Drawer Pan Size (l x w)	Drawer Width	Mounting Slots Width	Overall Length	Mounting Slots Length	Add-Ons	Pan Material
BKDWR-1820-ASSY-PL	15" x 20"	22 3/4"	24 3/8"	21 7/8"	16"	None	Plastic
BKDWR-1820-ASSY-L-PL	15" x 20"	22 3/4"	24 3/8"	21 7/8"	16"	Locking	Plastic
BKDWR-2020-ASSY-SS-SPR-24	20" x 20"	22 3/4"	24 5/8"	23 7/8"	16"	None	S/S
BKDWR-2020-ASSY-L-SS-SPR-24	20" x 20"	22 3/4"	24 5/8"	23 7/8"	16"	Locking	S/S
BKDWR-2015-ASSY-SS-SPR-24	20" x 15"	17 3/4"	19 5/8"	23 7/8"	16"	None	S/S
BKDWR-2015-ASSY-L-SS-SPR-24	20" x 15"	17 3/4"	19 5/8"	23 7/8"	16"	Locking	S/S
BKDWR-2020-ASSY-SS-SPR-30	20" x 20"	22 3/4"	24 5/8"	23 7/8"	16"	None	S/S
BKDWR-2020-ASSY-L-SS-SPR-30	20" x 20"	22 3/4"	24 5/8"	23 7/8"	16"	Locking	S/S
BKDWR-2015-ASSY-SS-SPR-30	20" x 15"	17 3/4"	19 5/8"	23 7/8"	16"	None	S/S
BKDWR-2015-ASSY-L-SS-SPR-30	20" x 15"	17 3/4"	19 5/8"	23 7/8"	16"	Locking	S/S



PRODUCT DATA SHEET

BK RESOURCES

