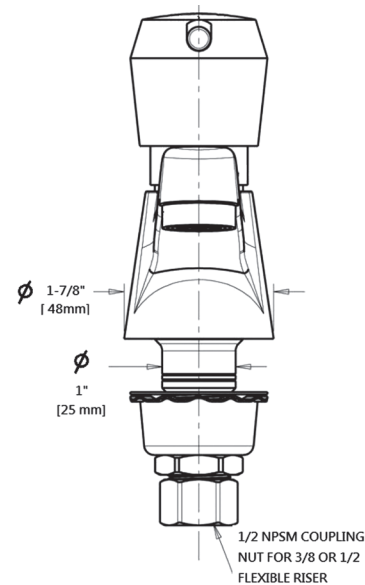
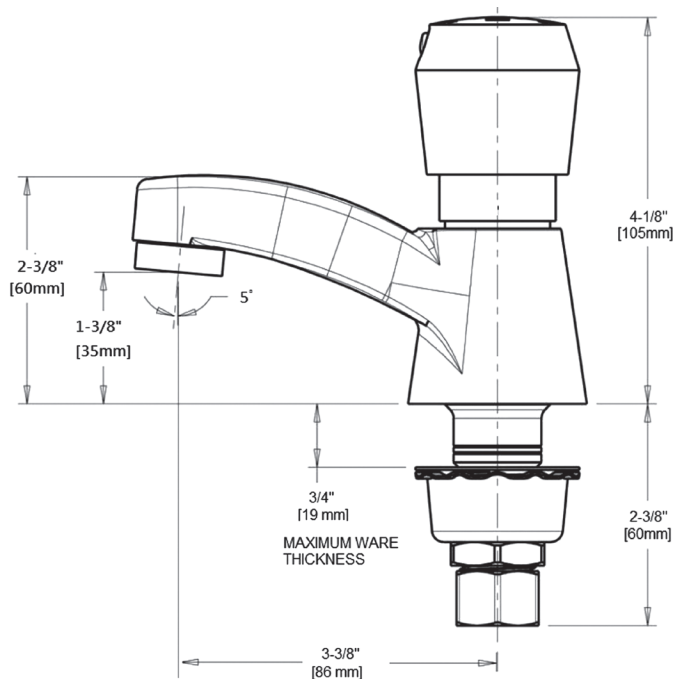




Use your smart phone to scan the above QR code to visit our website: www.bk-resources.com

# Deck Mounted Single Supply Lead Free Metering Faucet

Model: BKF-1SMFD-G, ANSI 372 Compliant



### Product Specifications:

- Single Hole Polished Chrome Plated Metering Faucet
- Lead Free Product
- 0.5 GPM (1.9 L/min) Vandal Resistant Aerator
- 1-3/4" Vandal Proof MVP Metering Push Handle
- Metering Adjustable Cycle Time Closure Cartridge
- 1/2" NPSM Supply Inlet with Coupling Nut for 3/8" or 1/2" Flexible Riser
- 3-3/8" Center to Center Integral Cast Brass Spout
- Operating Pressure: 20-125 PSI
- Operating Temperature: 40-140°F

### Maintenance:

Do not use abrasive cleaners, chemicals or solvents as they can result in surface damage. Use mild soap and warm water for cleaning.

### Certifications:



ADA Compliant

PRODUCT SPECIFICATION SHEET

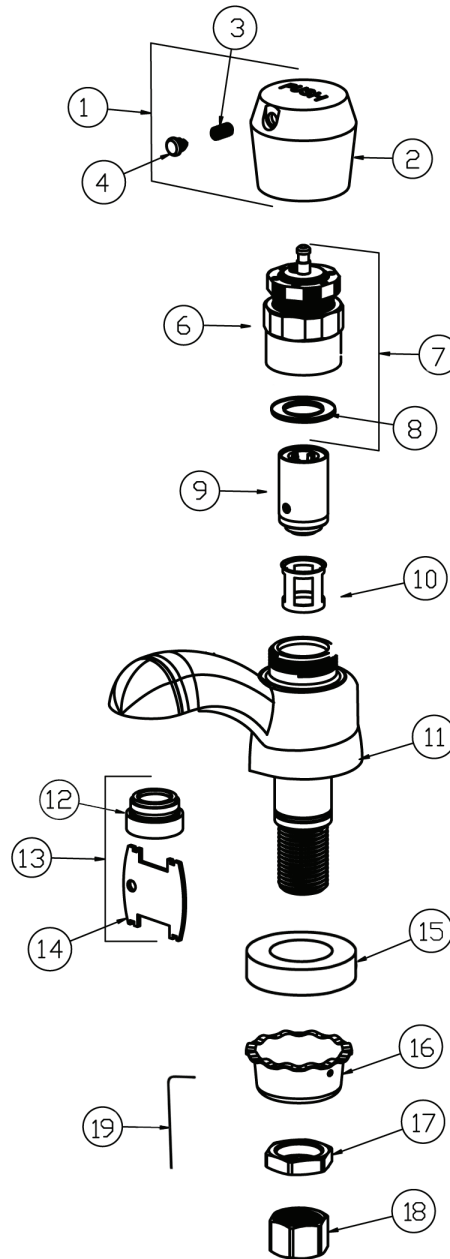
RESOURCES





# Deck Mounted Single Supply Lead Free Metering Faucet

Model: BKF-1SMFD-G, ANSI 372 Compliant



### Exploded Parts Detail:

Diagram #	Quantity	Part Number	Description
1	1	MFD-CAP-ASSY	Push Cap Assembly
2	1	MFD-CAP	Push Cap
3	1	MFD-SS	Set Screw
4	1	MFD-BB	Blue Button
6	1	MFD-G-A	Actuator
7	1	MFD-AA	Actuator Assembly
8	1	MFD-SW	Sealing Washer
9	1	MFD-MV	Metering Valve Cartridge
10	1	MFD-F	MVP Filter
11	1	BKF-1SMFD-G	Faucet Body Not Sold Separately

Diagram #	Quantity	Part Number	Description
12	1	MFD-AER	Aerator
13	1	MFD-AER-ASSY	Aerator Assembly
14	1	MFD-AK	Aerator Key
15	1	MFD-SPACER	Spacer
16	1	MFD-BCW	Basin Cock Washer
17	1	MFD-MN	Locknut
18	1	MFD-CN	Coupling Nut
19	1	MFD-AW	Allen Wrench

PRODUCT SPECIFICATION SHEET

RESOURCES

