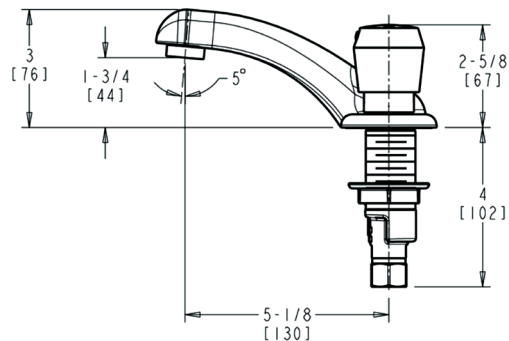
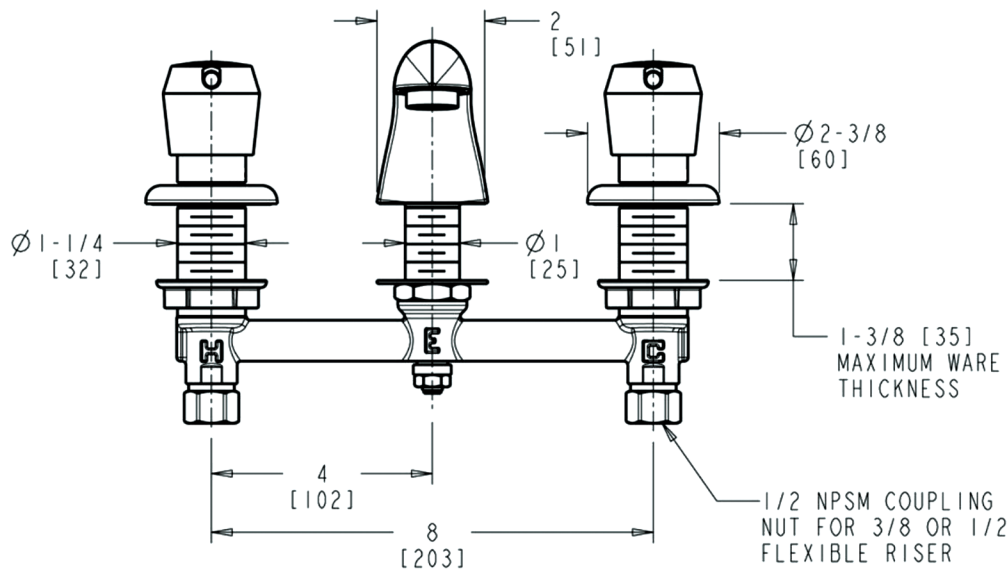




Use your smart phone to scan the above QR code to visit our website: www.bk-resources.com

8" Deck Mounted Hot and Cold Water Lead Free Metering Faucet

Model: BKF-8MFD-G, ANSI 372 Compliant



Product Specifications:

- 8" Fixed Centers Polished Chrome Plated Metering Faucet
- Lead Free Product
- 0.5 GPM (1.9 L/min) Vandal Resistant Aerator
- 1-3/4" Vandal Proof MVP Metering Push Handle
- Metering Adjustable Cycle Time Closure Cartridge
- 1/2" NPSM Supply Inlet with Coupling Nut for 3/8" or 1/2" Flexible Riser
- 4" Center to Center Integral Cast Brass Spout
- Operating Pressure: 20-125 PSI
- Operating Temperature: 40-140°F

Maintenance:

Do not use abrasive cleaners, chemicals or solvents as they can result in surface damage. Use mild soap and warm water for cleaning.

Certifications:



ADA Compliant

PRODUCT SPECIFICATION SHEET

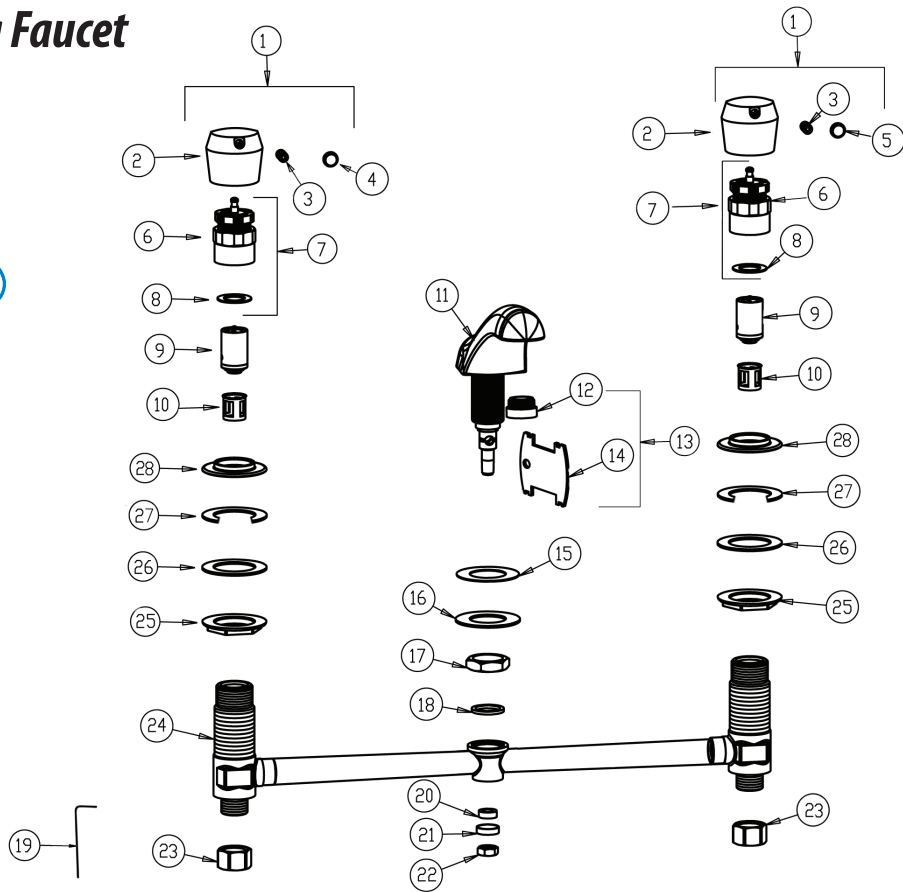
RESOURCES





8" Deck Mounted Hot and Cold Water Lead Free Metering Faucet

Model: BKF-8MFD-G,
ANSI 372 Compliant



Exploded Parts Detail:

Diagram #	Quantity	Part Number	Description
1	2	MFD-CAP-ASSY	Push Cap Assembly
2	2	MFD-CAP	Push Cap
3	2	MFD-SS	Set Screw
4	1	MFD-RB	Red Button
5	1	MFD-BB	Blue Button
6	2	MFD-AA	Actuator
7	2	MFD-A	Actuator Assembly
8	2	MFD-SW	Sealing O-Ring
9	2	MFD-MV	Metering Valve Cartridge
10	2	8MFD-F	MVP Filter
11	1	BKF-8MFD-G	Spout Body
12	1	MFD-AER	Aerator
13	1	MFD-AER-ASSY	Aerator Assembly
14	1	MFD-AK	Aerator Key

Diagram #	Quantity	Part Number	Description
15	1	8MFD-RW	Rubber Washer
16	1	8MFD-SW	Steel Washer
17	1	8MFD-SL	Spout Locknut
18	1	8MFD-G	Gasket
19	1	8MFD-AW	Allen Wrench
20	1	8MFD-RW	Rubbber Washer
21	1	8MFD-CN	Coupling Nut
22	1	8MFD-N	3/8 Nut
23	2	8MFD-CN	Coupling Nut
24	1	8MFD-VBA	Valve Body Assembly
25	2	8MFD-LN	Locknut
26	2	8MFD-SSW	Steal Washer
27	2	8MFD-CR	Clip Retainer
28	2	8MFD-BASE	Base

