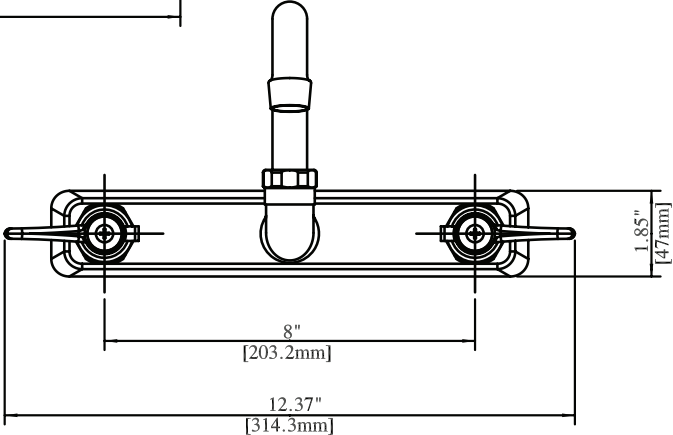
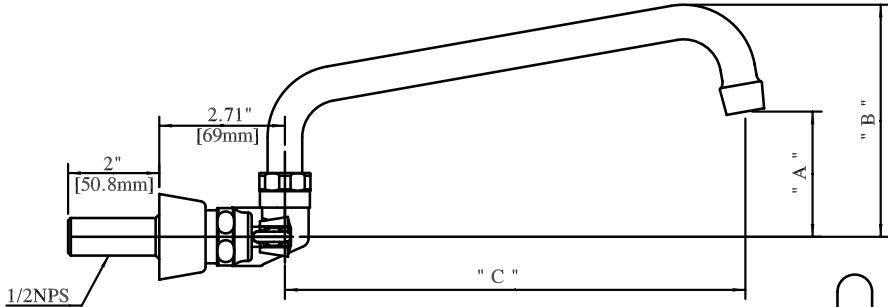
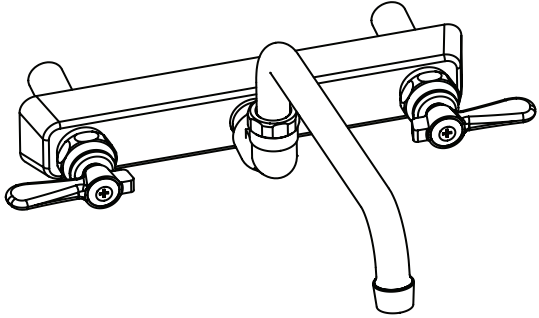




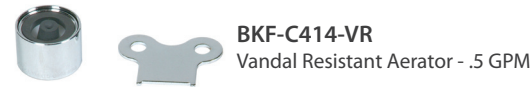
Use your smart phone to scan the above QR code to visit our website: www.bk-resources.com

8" Splash Mount Heavy Duty Faucet with Swing Spout

Model: BKF-8SM-G, Lead Free



Options:



Product Detail:

Model Number	DIM. A	DIM. B	DIM. C
BKF-8SM-6-G	2.16" [54.7]	4.38" [111.1]	6" [152.4]
BKF-8SM-8-G	2.56" [65]	4.75" [120.6]	8" [203.2]
BKF-8SM-10-G	2.88" [73]	5.17" [131.4]	10" [254]
BKF-8SM-12-G	3.31" [84.1]	5.56" [141.3]	12" [304.8]
BKF-8SM-14-G	3.75" [95.3]	5.88" [149.2]	14" [355.6]
BKF-8SM-16-G	4.13" [104.7]	6.38" [161.9]	16" [406.4]

Certifications:



Product Specifications:

- Heavy Duty Double Seat 1/4 Turn Ceramic Cartridges
- Color Coded Hot & Cold Indicators
- Double O-Ring Spout Seal
- High Polished Triple Dipped Chrome Finish
- Integral Check Valve
- Lead Free Compliant
- Full Replacement Parts Available

PRODUCT SPECIFICATION SHEET

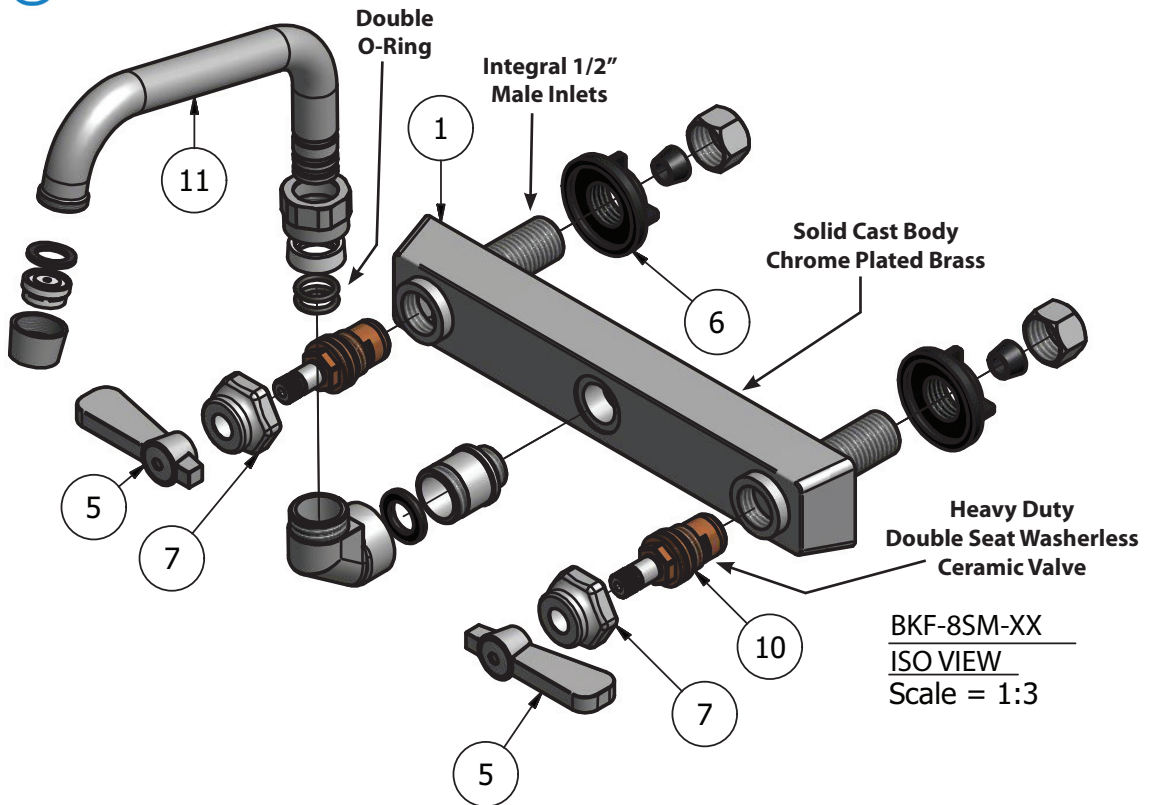
RESOURCES





8" Splash Mount Heavy Duty Faucet with Swing Spout

Model: BKF-8SM-G, Lead Free



Exploded Parts Detail:

Diagram #	Quantity	Part Number	Description
1	1	BKF-8SM-XX	Faucet Body
5	2	BKF-SBH	Handle
6	2	BKF-MN	Mounting Nut
7	2	BKF-BONNET	Bonnet
10	2	BKF-HV/CV	Ceramic Valves
11	1	BKF-SPT-XX	Spout

Optional Spouts & Parts:



PRODUCT SPECIFICATION SHEET

RESOURCES

