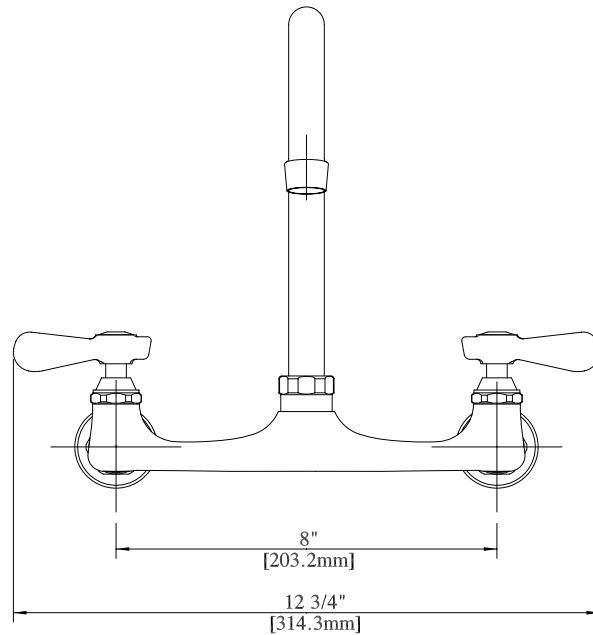
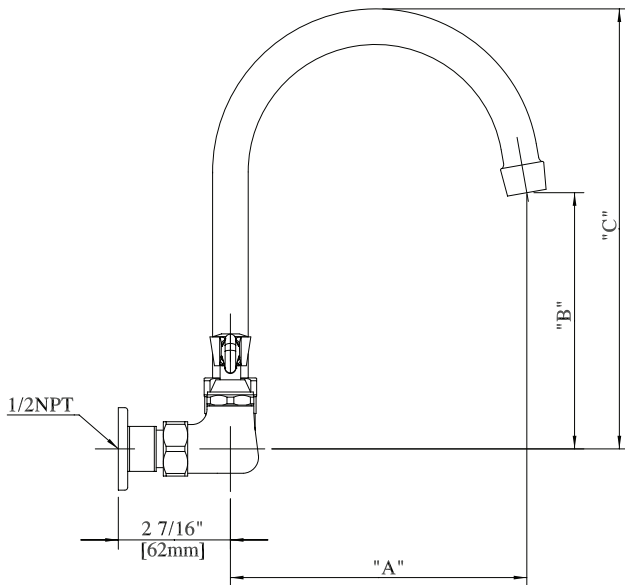
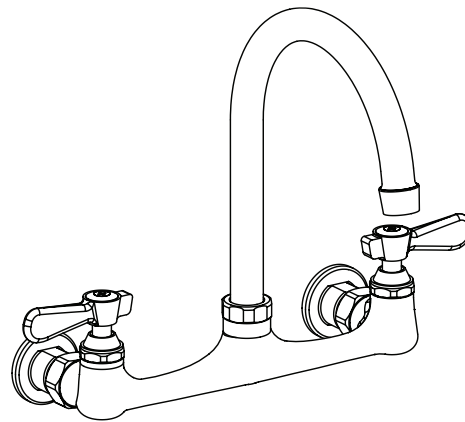




Use your smart phone to scan the above QR code to visit our website: www.bk-resources.com

8" Splash Mount Standard Duty Faucet with Gooseneck Spout

Model: BKF-8W-xG-G, Lead Free



Options:



BKF-C414-VR
Vandal Resistant Aerator - .5 GPM

BK-DMMK-90
Faucet Mounting Kit - *SOLD SEPARATELY*

Product Specifications:

- 1/4 Turn Ceramic Cartridges
- Color Coded Hot & Cold Indicators
- Double O-Ring Spout Seal
- High Polished Chrome Finish
- Lead Free Compliant
- Full Replacement Parts Available

Product Detail:

Model Number	DIM. A	DIM. B	DIM. C
BKF-8W-3G-G	3.5" [90]	5.13" [130]	7.88" [200]
BKF-8W-5G-G	6" [150]	5" [127]	9.5" [241]
BKF-8W-8G-G	8.5" [215]	7.5" [190.5]	12.38" [314.3]

Certifications:



Certified to NSF/ANSI 61 Section 9-G



PRODUCT SPECIFICATION SHEET

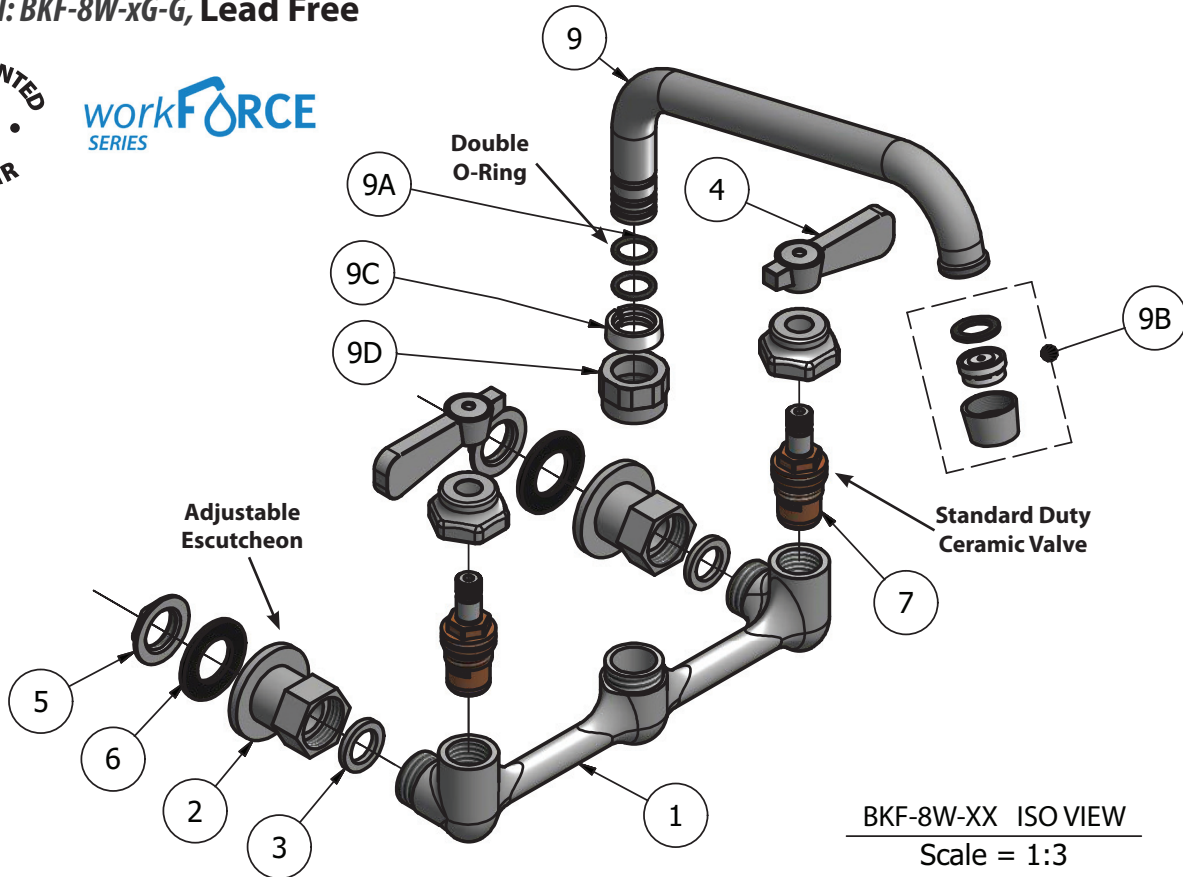
RESOURCES





8" Splash Mount Standard Duty Faucet with Gooseneck Spout

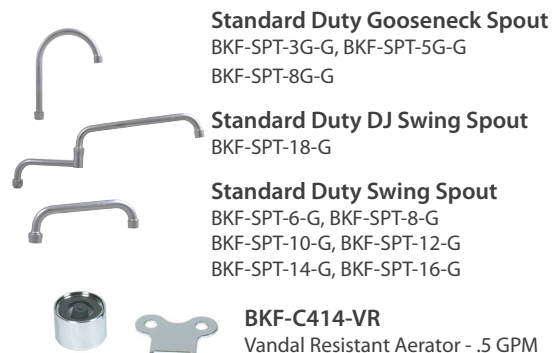
Model: BKF-8W-xG-G, Lead Free



Exploded Parts Detail:

Diagram #	Quantity	Part Number	Description
1	1	BKF-8W-XX	Faucet Body
2	2	BK-8W-ESC	Valve Mounting Nut
3	2	BK-8W-ESC-WASHER	0.63 O-Ring
4	2	BKF-SBH	Handle
5	2	BKF-MN	Mounting Nut
6	2	BKF-MW	Mounting Washer
7	2	(1)BKF-W-CV & (1)BKF-W-HV	Ceramic Valves
9	1	BKF-SPT-XX	Spout
9A	2	BKF-O-RING	O-Ring
9B	1	BKF-AER	Aerator
9C	1	BKF-SPT-S	Spacer
9D	1	BKF-SPT-SN	Spout Nut

Optional Spouts & Parts:



BK-DMMK-90
Faucet Mounting Kit - SOLD SEPARATELY

PRODUCT SPECIFICATION SHEET

RESOURCES

