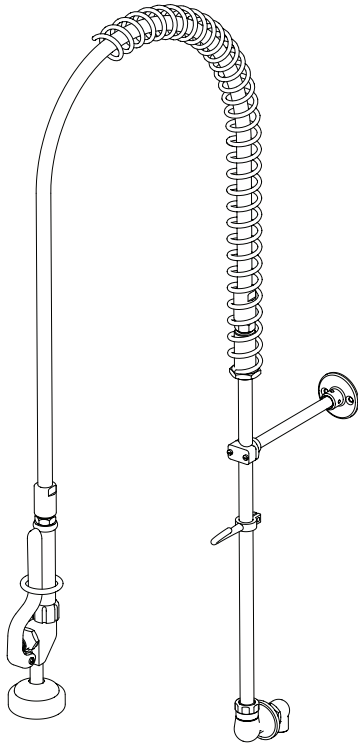
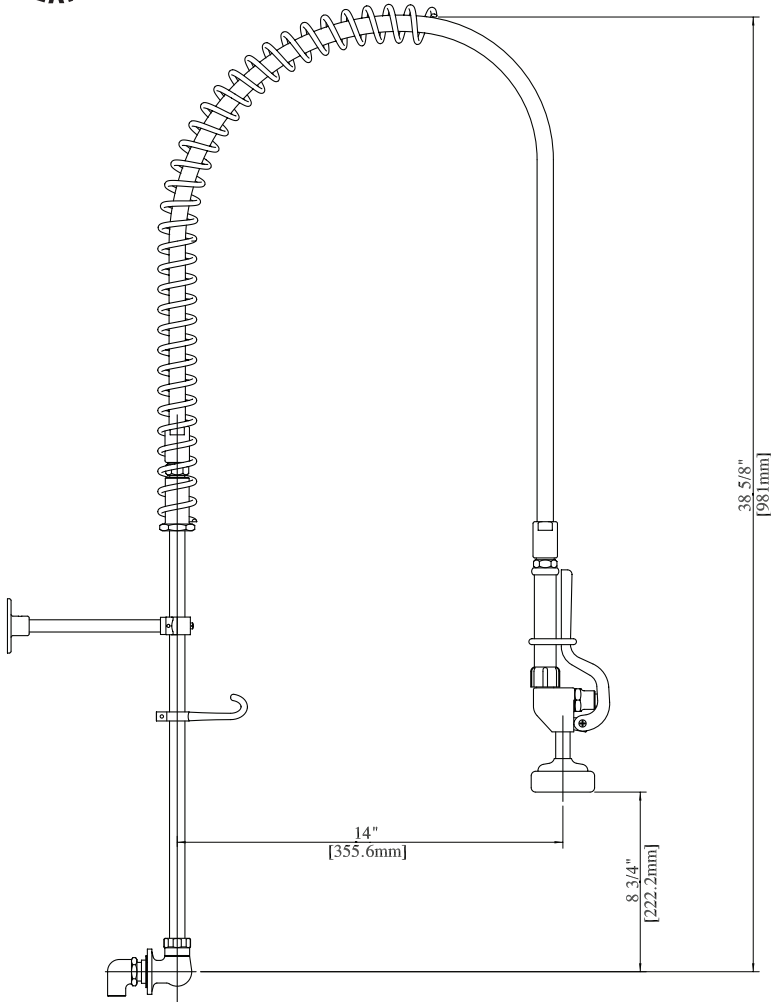




Use your smart phone to scan the above QR code to visit our website: www.bk-resources.com

# Wall Mount Base (No Valve) Pre-Rinse

Model: BKF-BWMPR-WB-G, Lead Free



### Product Specifications:

- Triple-Ply Hose Rated to 300 PSI
- 12" Wall Bracket
- 1/2" Female Inlets

### Options:



**BKF-AF Add A Faucet**  
BKF-AF-8-G, BKF-AF-10-G,  
BKF-AF-12-G, BKF-AF-14-G

### Certifications:



Certified to NSF/ANSI 61 Section 9-G

PRODUCT SPECIFICATION SHEET

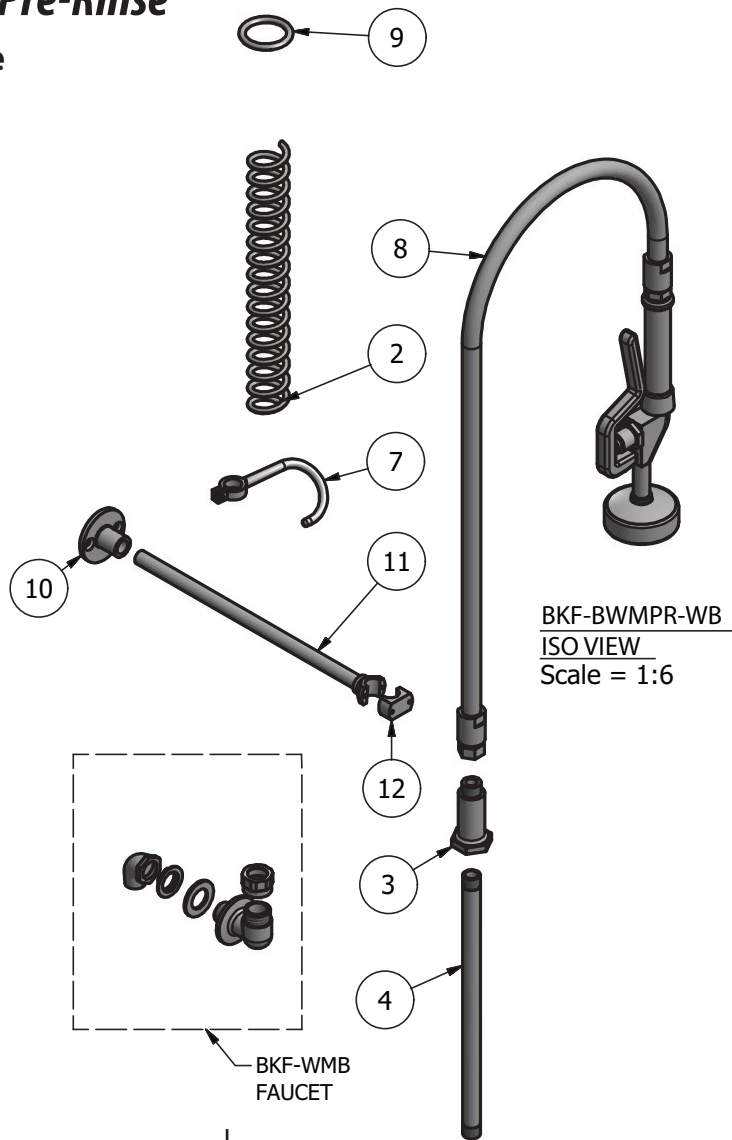
RESOURCES





# Wall Mount Base (No Valve) Pre-Rinse

Model: BKF-BWMPR-WB-G, Lead Free



### Exploded Parts Detail:

Diagram #	Quantity	Part Number	Description
2	1	BK-PR-SPRING	Hose Spring
3	1	BK-PR-SPR	Hose Retainer
4	1	BK-PR-18RP	Riser Bar
7	1	BK-PR-SHR	Spray Valve Retainer
8	1	BKH-44	Spray Hose
9	1	BK-PR-SHR	Spray Valve Handle Retainer
10	1	BK-PR-WB	Wall Bracket Base
11	1	BK-PR-WB	Wall Bracket Rod
12	1	BK-PR-WB	Wall Bracket Clamp
16	1	BKF-WMB	Splash Mount Spout Base

### Options:



**BKF-AF Add A Faucet**  
BKF-AF-8-G, BKF-AF-10-G,  
BKF-AF-12-G, BKF-AF-14-G

