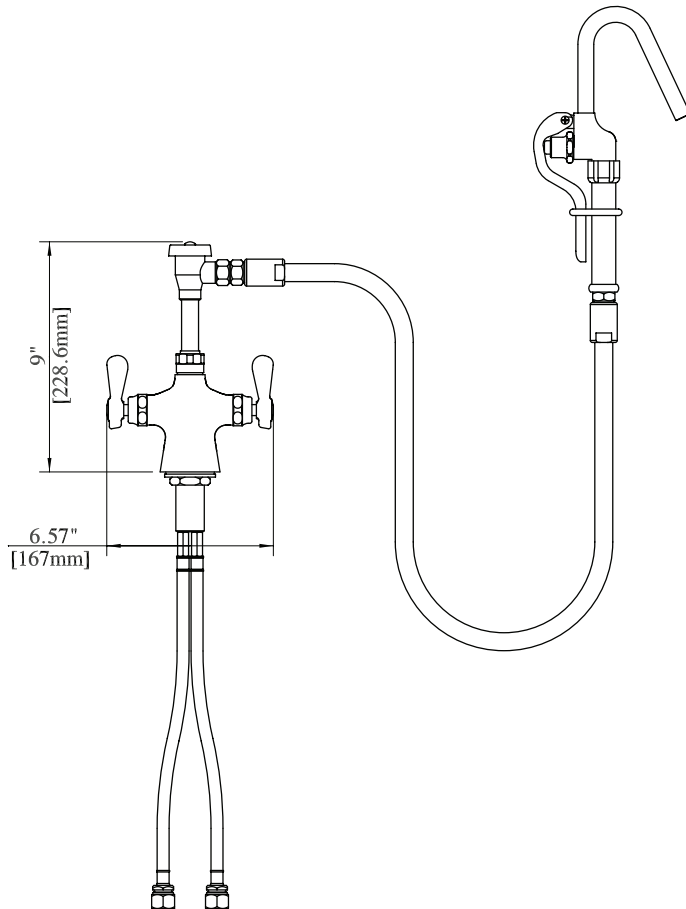
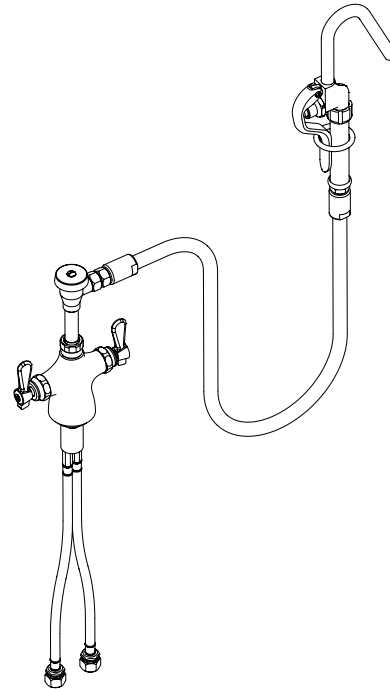




Use your smart phone to scan the above QR code to visit our website: www.bk-resources.com

Dual Valve Deck Mount Pot Filler

Model: BKF-DDMPF-G, Lead Free



Product Specifications:

- 72" Stainless Steel Braided Hose
- Wall Hook
- High Polished Nickel Chrome Finish
- Full Replacement Parts Available

Certifications:



PRODUCT SPECIFICATION SHEET

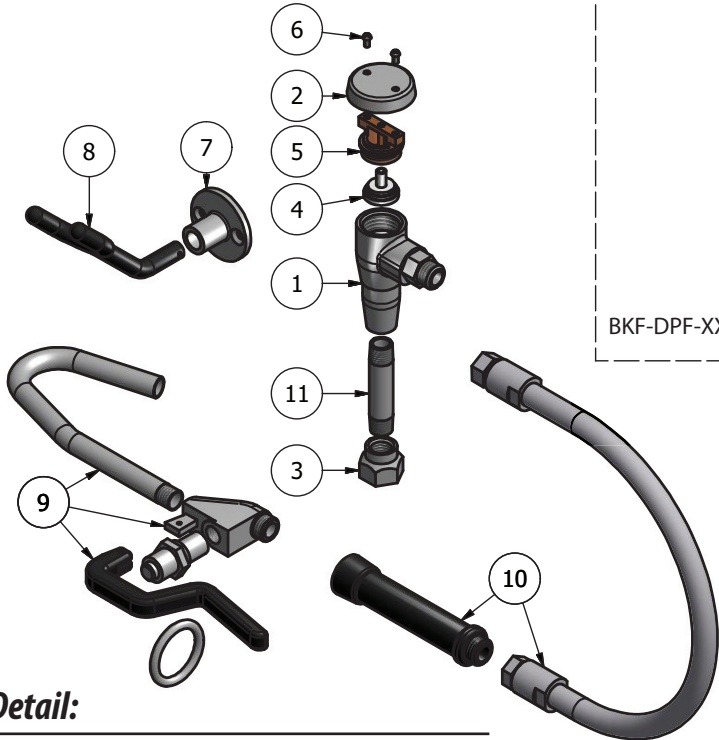
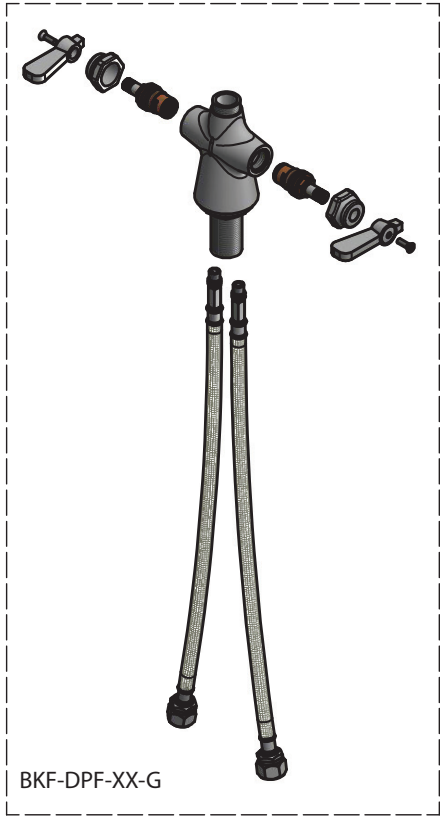
RESOURCES





Dual Valve Deck Mount Pot Filler

Model: BKF-DDMPF-G, Lead Free



Exploded Parts Detail:

Diagram #	Quantity	Part Number	Description
1	1	BKF-VSVB-G	Vac Breaker Body
2	1	BKF-VBC	Vac Breaker Cap
3	1	BKF-PR-ADP	Vac Breaker Nut
4	1	BKF-VBV	Vac Breaker Valve
5	1	BKF-VBB	Vac Breaker Base
6	2	BKF-VBB-S	Vac Breaker Screw
7	1	BKF-WB	Wall Bracket
8	1	BK-WH	Wall Hook
9	1	BKF-PFW-G	Pot Filler
10	2	BKH-72-G	Hose w/ Adapter
11	1	BK-3.5RP-G	3.5 Pipe

PRODUCT SPECIFICATION SHEET

