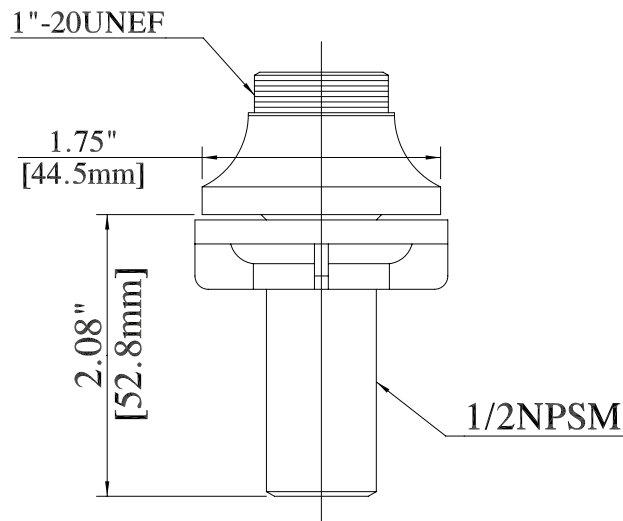
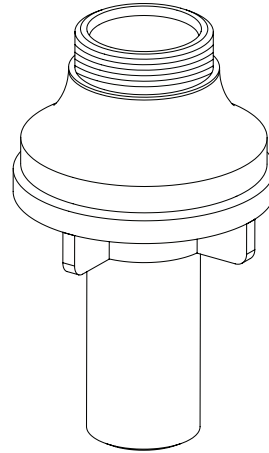




Use your smart phone to scan the above QR code to visit our website: www.bk-resources.com

Deck Mount Spout Base

Model: BKF-DMB-G, Lead Free



Product Specifications:

- 1/2" NPS Threading
- Chrome Plated

Certifications:



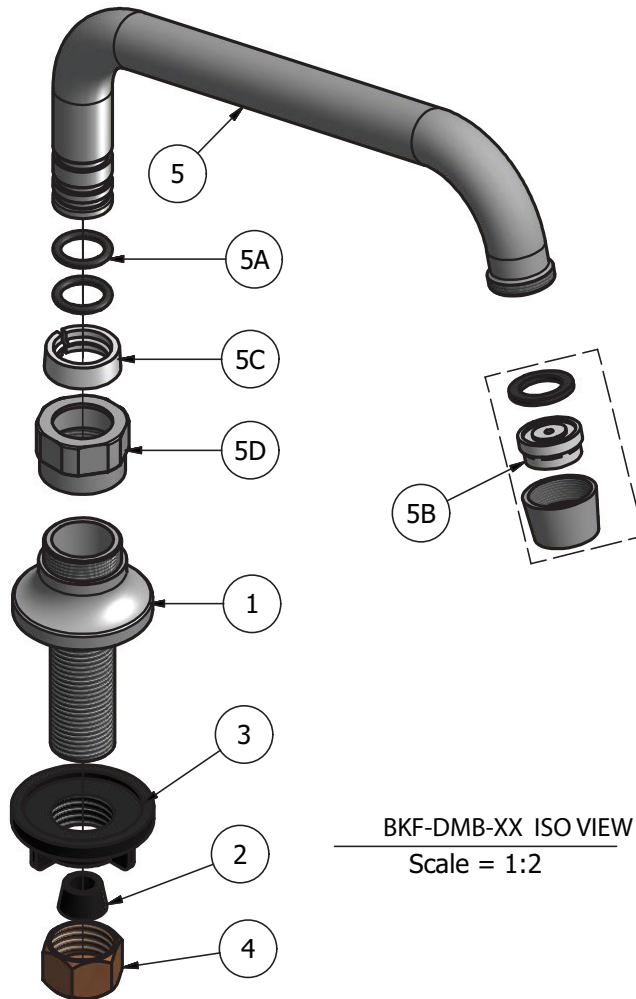
PRODUCT SPECIFICATION SHEET

RESOURCES



Deck Mount Spout Base

Model: BKF-DMB-G, Lead Free

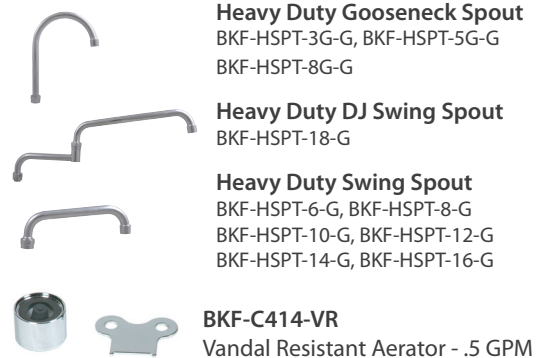


BKF-DMB-XX ISO VIEW
Scale = 1:2

Exploded Parts Detail:

Diagram #	Quantity	Part Number	Description
1	1	BKF-DMB-XX	Spout Base
2	1	BKF-FLARE	Flare
3	1	BKF-MN	Mounting Nut
4	1	BKF-CN	Compression Nut
5	1	BKF-SPT-XX	Spout
5A	2	BKF-O-RING	O-Ring
5B	1	BKF-AER	Aerator
5C	1	BKF-SPT-S	Spacer
5D	1	BKF-SPT-N	Nut

Optional Spouts & Parts:



Heavy Duty Gooseneck Spout
BKF-HSPT-3G-G, BKF-HSPT-5G-G
BKF-HSPT-8G-G

Heavy Duty DJ Swing Spout
BKF-HSPT-18-G

Heavy Duty Swing Spout
BKF-HSPT-6-G, BKF-HSPT-8-G
BKF-HSPT-10-G, BKF-HSPT-12-G
BKF-HSPT-14-G, BKF-HSPT-16-G

BKF-C414-VR
Vandal Resistant Aerator - .5 GPM