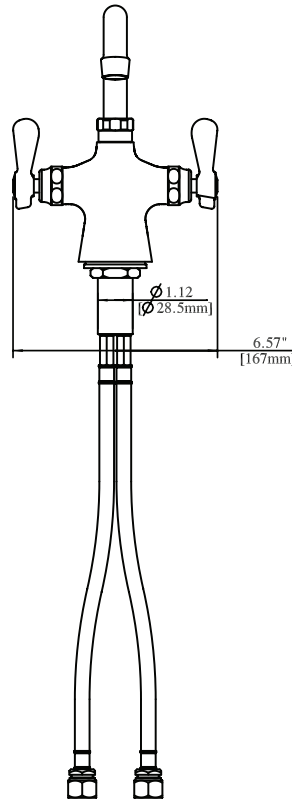
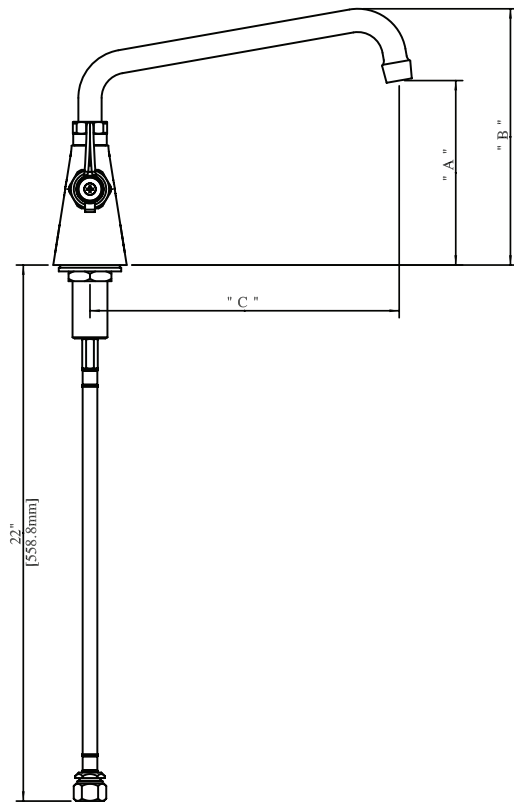
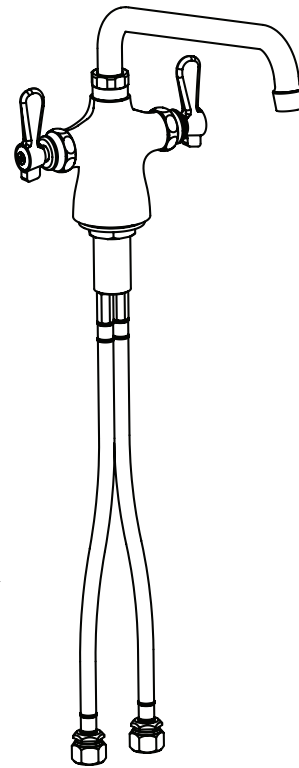




Use your smart phone to scan the above QR code to visit our website: www.bk-resources.com

# Deck Mount Dual Valve Pantry Faucet with Swing Spout

Model: BKF-DPF



PRODUCT SPECIFICATION SHEET

### Options:



**BKF-C414-VR**  
Vandal Resistant Aerator - .5 GPM

### Product Specifications:

- Heavy Duty Double Seat 1/4 Turn Ceramic Cartridges
- High Polished Triple Dipped Chrome Finish
- Full Replacement Parts Available

### Product Detail:

Model Number	DIM. A	DIM. B	DIM. C
BKF-DPF-6-G	5" [127]	7.25" [184.2]	6" [152.4]
BKF-DPF-8-G	5.38" [136.5]	7.63" [193.7]	8" [203.2]
BKF-DPF-10-G	5.75" [146]	8" [203.2]	10" [254]
BKF-DPF-12-G	6.81" [157.5]	8.38" [212.7]	12" [304.8]
BKF-DPF-14-G	6.63" [168.3]	8.75" [222.3]	14" [355.6]
BKF-DPF-16-G	7" [177.8]	9.20" [233.8]	16" [406.4]

### Certifications:



Certified to NSF/ANSI 61 Section 9-G



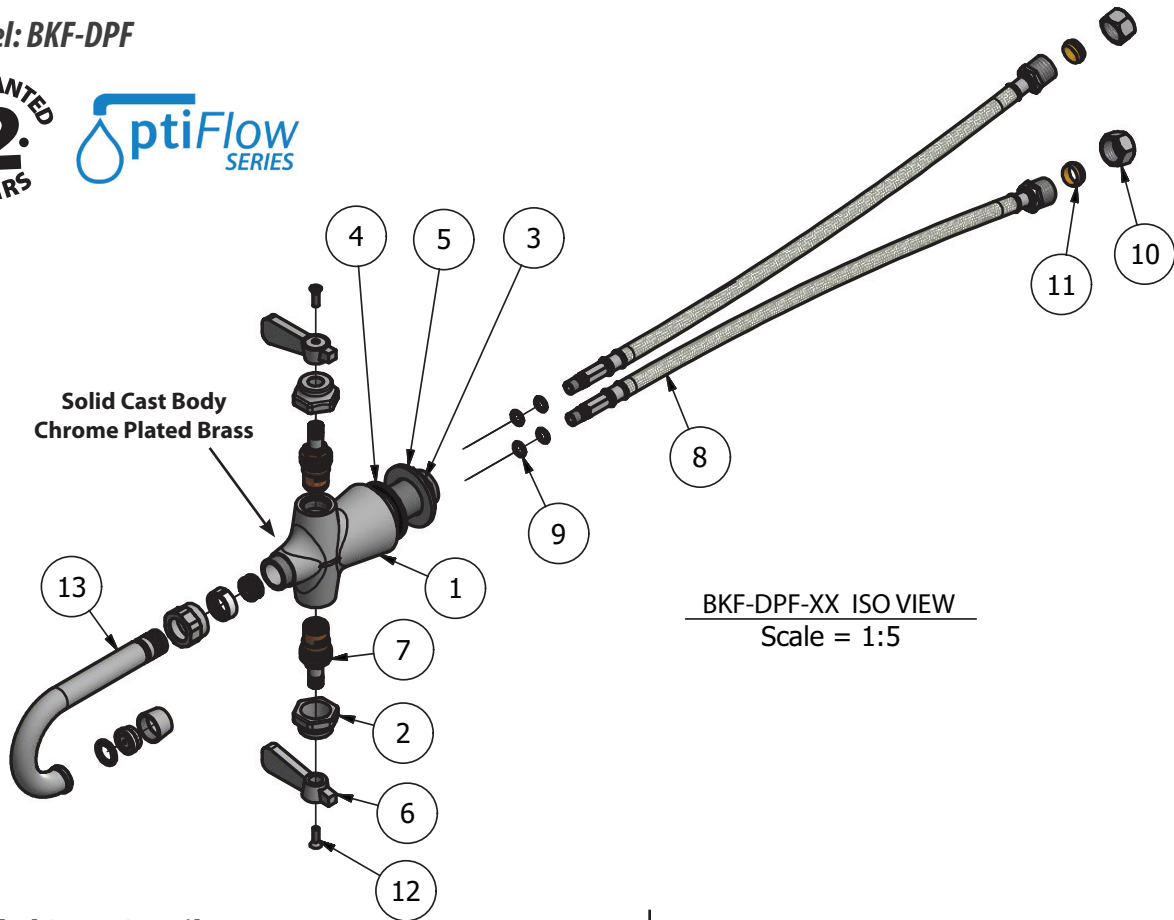
RESOURCES





# Deck Mount Dual Valve Pantry Faucet with Swing Spout

Model: BKF-DPF



BKF-DPF-XX ISO VIEW  
Scale = 1:5

### Exploded Parts Detail:

Diagram #	Quantity	Part Number	Description
1	1	BK-DPF-XX-G	Faucet Body
2	1	BKF-BONNET	Bonnet
3	1	BKF-DPF-N	Nut
4	1	BKF-DPF-S	Seal
5	1	BKF-DPF-W	Washer
6	2	BKF-SBH	Handle
7	2	BKF-HV/CV	Mixing Valve
8	2	BKF-DPF-HOSE	Hose
9	4	BKF-DPF-O-RING	O-Ring
10	2	BKF-DPF-MN	Hose Mounting Nut
11	2	BKF-DPF-HF	Hose Brass Fitting
12	2	BKF-SBH-S	Handle Screw
13	1	BKF-SPT-XX	Spout

### Optional Spouts & Parts:

**Heavy Duty Gooseneck Spout**  
BKF-HSPT-3G-G, BKF-HSPT-5G-G  
BKF-HSPT-8G-G

**Heavy Duty DJ Swing Spout**  
BKF-HSPT-18-G

**Heavy Duty Swing Spout**  
BKF-HSPT-6-G, BKF-HSPT-8-G  
BKF-HSPT-10-G, BKF-HSPT-12-G  
BKF-HSPT-14-G, BKF-HSPT-16-G

**BKF-C414-VR**  
Vandal Resistant Aerator - .5 GPM

PRODUCT SPECIFICATION SHEET

RESOURCES

