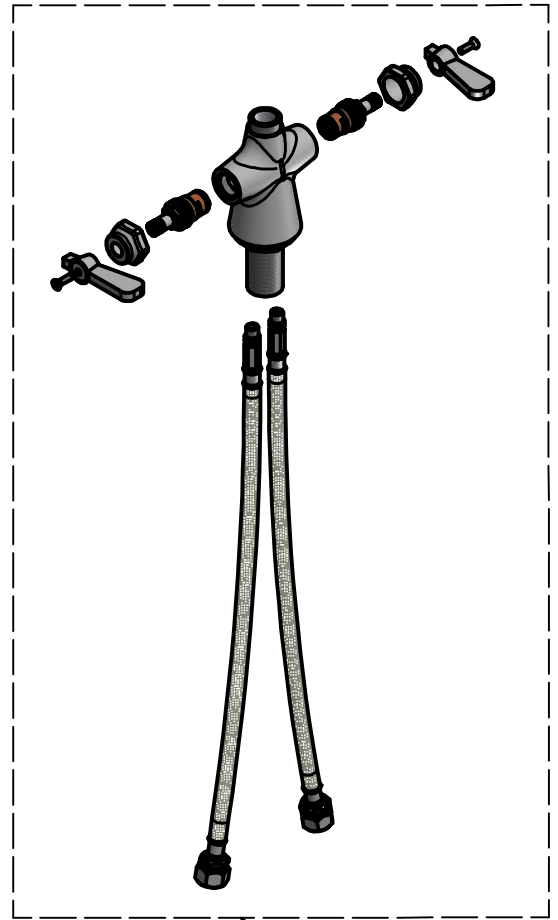
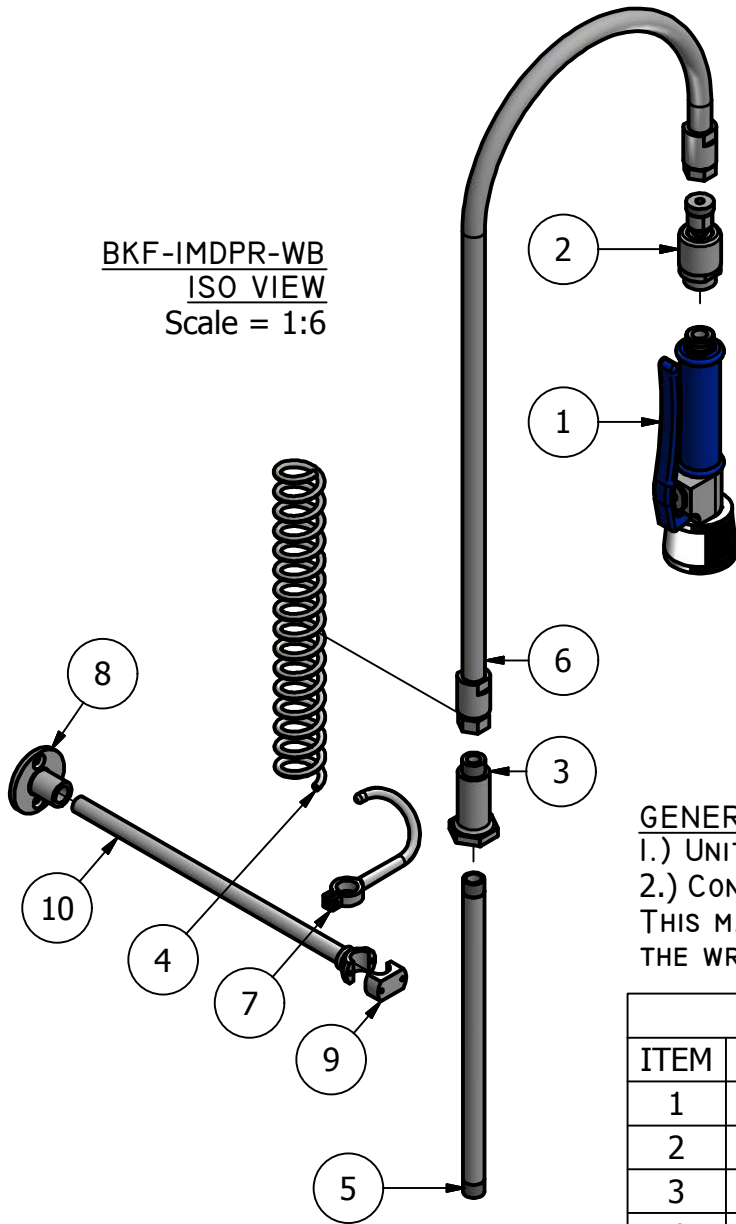


BKF-IMDPR-WB  
 ISO VIEW  
 Scale = 1:6



BKF-DHR FAUCET

**GENERAL NOTES:**

- 1.) UNITS OF MEASURE: INCHES [MILLIMETERS]
- 2.) CONTENT IS EXCLUSIVE PROPERTY OF BK RESOURCES. THIS MAY NOT BE REPLICATED OR DISTRIBUTED WITHOUT THE WRITTEN CONSENT OF BK RESOURCES.

**PARTS LIST**

ITEM	QTY	PART NUMBER	DESCRIPTION
1	1	BKF-KC3PRV	
2	1	BKF-IMPVPRO	
3	1	Hose Retainer	
4	1	Hose Spring	
5	1	Riser Bar	
6	1	Spray Hose	
7	1	Spray Valve Retainer	
8	1	Wall Bracket Base	
9	1	Wall Bracket Clamp	
10	1	Wall Bracket Rod	



120 Frontage Rd. Altamont, IL 62411  
 888-310-4393 www.bk-resources.com

Model Specifications:

Model Specifications:

Drawn By: JCD	Date: 02/10/14	Sheet No. 1 of 1
------------------	-------------------	---------------------

Model No:  
**BKF-IMDPR-WB**