



Glass Filler Water Station

Drop In Sinks



Use your smart phone to scan the above QR code to visit our website:
www.bk-resources.com

Certifications:



Certified to NSF/ANSI 61 Section 9-G



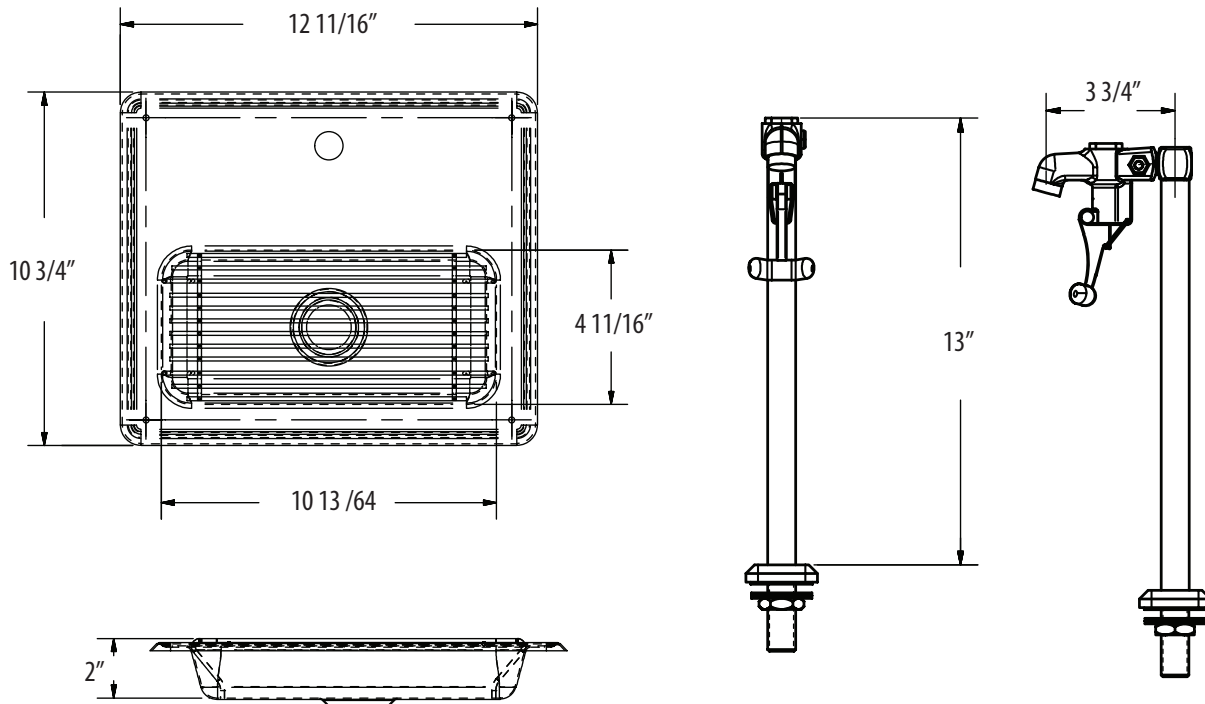
Features:

- Locking Clip For Continuous Flow
- Lead Free Faucet

Material:

- T-304 20 ga. Stainless Steel
- Chrome Plated Brass Drain

Part Number	Unit Size (l x w)	Unit Size (l x w x d)	Basin Size (l x w)	Description	Recommended Cutout Size (l x w)
BKF-SGF-G	-	13" x 3 3/4" x 2"	-	Faucet Only	-
BK-WS	12 11/16" x 10 3/4"	-	10 13/64" x 4 11/16" x 2"	Filler Station	10 11/16" x 9"
BK-WS-1SGF-G	Filler Station w/ Faucet				



PRODUCT DATA SHEET

BK RESOURCES

