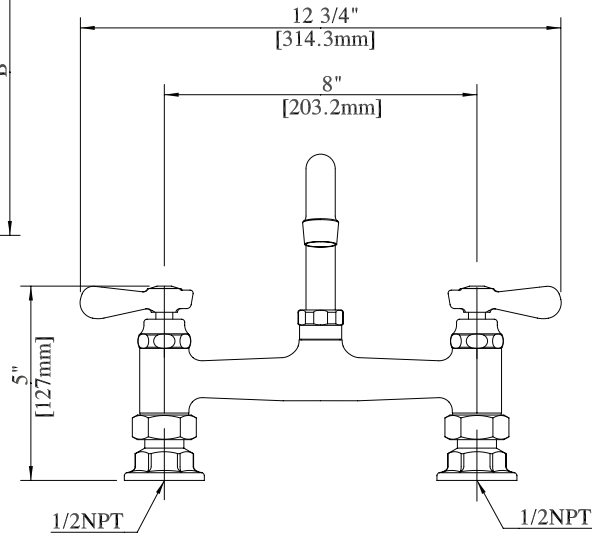
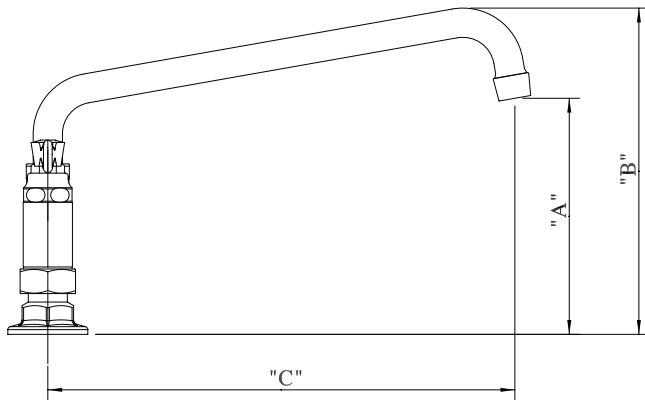
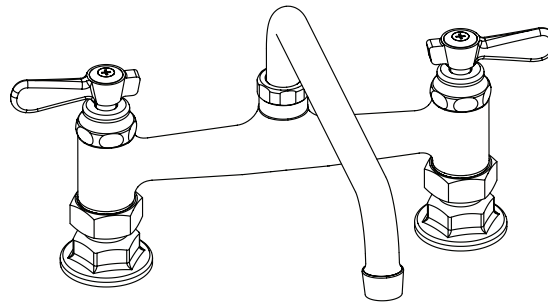




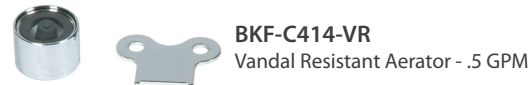
Use your smart phone to scan the above QR code to visit our website: www.bk-resources.com

8" Deck Mount Heavy Duty Faucet with Swing Spout

Model: BKF8HD-G, Lead Free



Options:



BK-DMMK
Faucet Mounting Kit - *SOLD SEPARATELY*

Product Detail:

| Model Number | DIM. A | DIM. B | DIM. C |
|--------------|---------------|---------------|-------------|
| BKF8HD-6-G | 4.75" [120.6] | 7" [177.8] | 6" [152.4] |
| BKF8HD-8-G | 5.56" [141.3] | 7.38" [187.3] | 8" [203.2] |
| BKF8HD-10-G | 5.81" [147.6] | 7.75" [196.8] | 10" [254] |
| BKF8HD-12-G | 6" [152.4] | 8.20" [208.3] | 12" [304.8] |
| BKF8HD-14-G | 6.38" [161.9] | 8.63" [219] | 14" [355.6] |
| BKF8HD-16-G | 6.75" [171.5] | 9" [228.6] | 16" [406.4] |

Certifications:



Product Specifications:

- Heavy Duty Double Seat 1/4 Turn Ceramic Cartridges
- Color Coded Hot & Cold Indicators
- Double O-Ring Spout Seal
- High Polished Triple Dipped Chrome Finish
- Integral Check Valve
- Lead Free Compliant
- Full Replacement Parts Available

PRODUCT SPECIFICATION SHEET

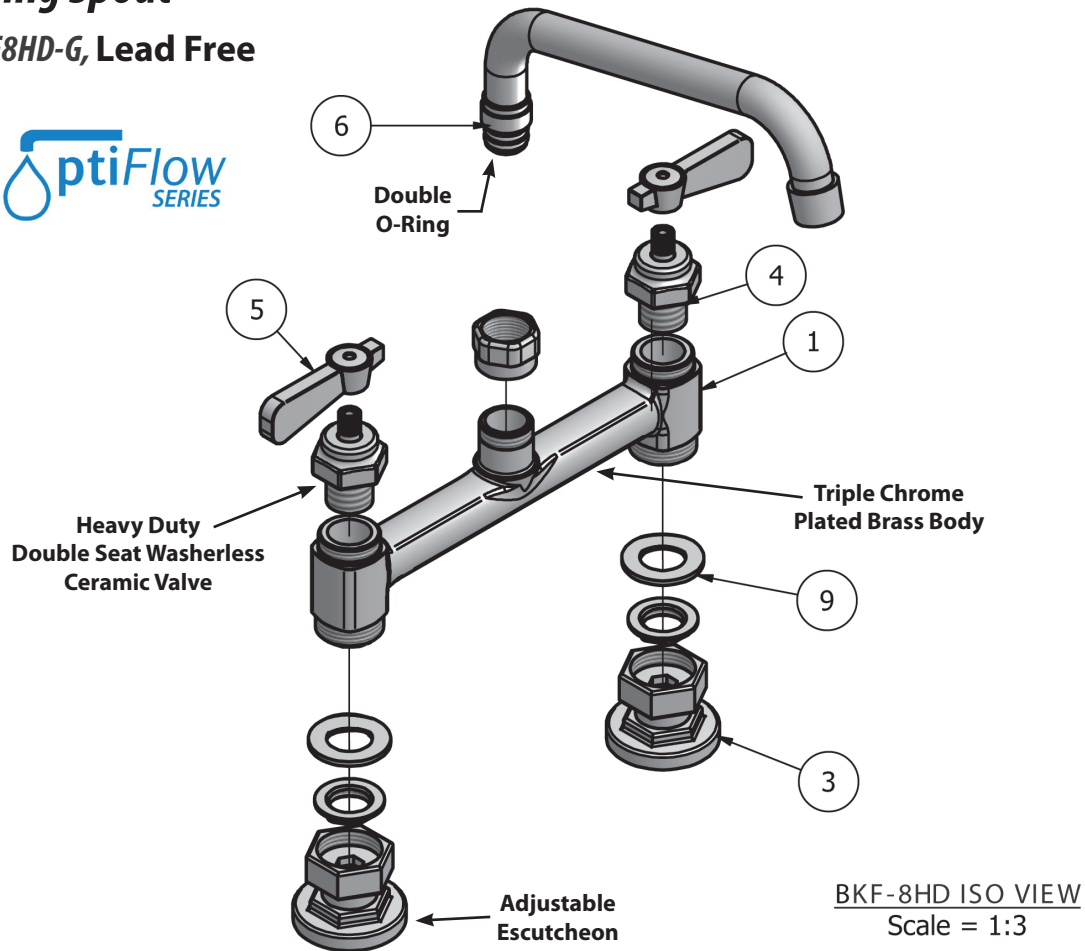
RESOURCES





8" Deck Mount Heavy Duty Faucet with Swing Spout

Model: BKF8HD-G, Lead Free



Exploded Parts Detail:

| Diagram # | Quantity | Part Number | Description |
|-----------|----------|-------------|---------------------------|
| 1 | 1 | BKF8HD-XX | Faucet Body |
| 3 | 2 | BKF-ESC | Mixing Valve Mounting Nut |
| 4 | 2 | BKF-CV/HV | Cartridge Assembly |
| 5 | 2 | BK-SBH | Handle |
| 6 | 1 | BKF-SPT-XX | Neck |
| 9 | 2 | BKF-MW | Mounting Washer |

Optional Spouts & Parts:

-  **Heavy Duty Gooseneck Spout**
BKF-HSPT-3G-G, BKF-HSPT-5G-G
BKF-HSPT-8G-G
-  **Heavy Duty DJ Swing Spout**
BKF-HSPT-18-G
-  **Heavy Duty Swing Spout**
BKF-HSPT-6-G, BKF-HSPT-8-G
BKF-HSPT-10-G, BKF-HSPT-12-G
BKF-HSPT-14-G, BKF-HSPT-16-G
-  **BKF-C414-VR**
Vandal Resistant Aerator - .5 GPM
-  **BKF-WBH**
ADA Compliant
Wrist Blade Handles
-  **BK-DMMK**
Faucet Mounting Kit - *SOLD SEPARATELY*

PRODUCT SPECIFICATION SHEET

RESOURCES

