



# Microwave Shelf

## Stainless Steel Shelving



Use your smart phone to scan the above QR code to visit our website:  
[www.bk-resources.com](http://www.bk-resources.com)

### Certifications:



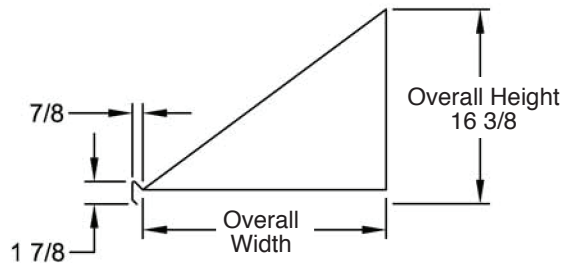
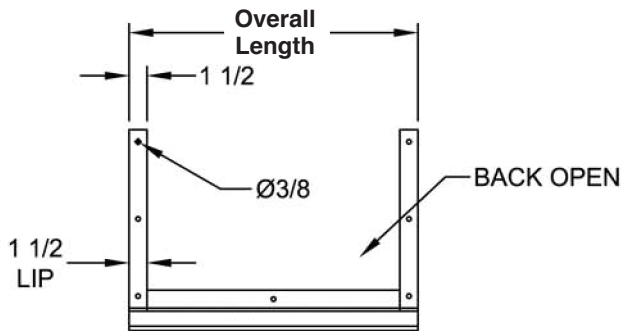
### Features:

- 15° Angle Supports
- 1-1/2" Mounting Back Lip
- Solid Base

### Material:

- T-304 Stainless Steel

Part Number	Unit Size (l x w)	Gauge
BKMWS-2024	24" x 20"	16 ga.
BKMWS-2030	30" x 20"	16 ga.
BKMWS-1824	24" x 18"	18 ga.
BKMWS-2424	24" x 24"	18 ga.



PRODUCT DATA SHEET

BK RESOURCES

