



Two Compartment - One Drainboard

Stainless Steel Compartment Sinks



Use your smart phone to scan the above QR code to visit our website:
www.bk-resources.com

Certifications:



Features:

- 1/4" Pitched Drainboards To Ensure Proper Drainage
- 1 1/2" Rounded Front and Side Edges
- Accommodates 8" On Center Faucets
- Drains Included
- 9" Backsplash

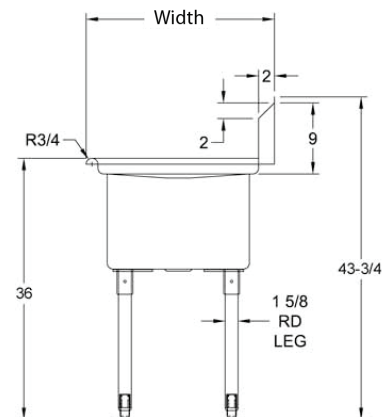
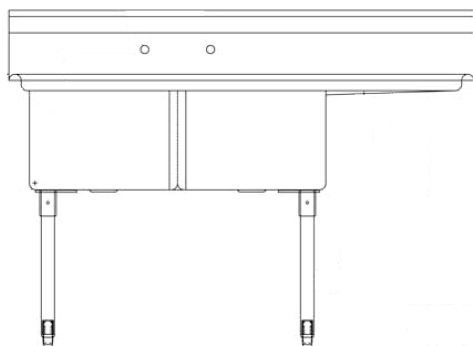
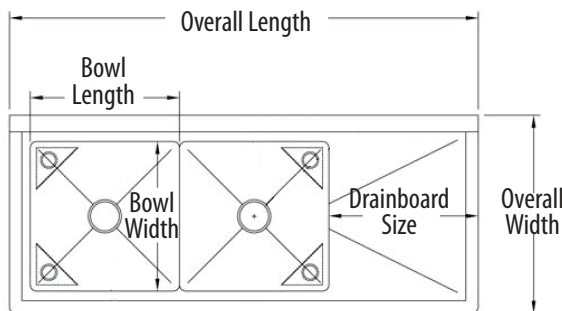
Material:

- T-304 18 ga. Stainless Steel Deck & Bowls
- 1 5/8" Galvanized Legs
- Adjustable High Impact Corrosion Resistant Feet

Options:

- Pre-Rinse Units & Faucets
- Lever Drains
- Upgraded Bullet Feet
- Upgrade to S/S Legs & Bracing

Part Number	Unit Size (l x w)	Bowl Dim. (l x w x d)	Sets of Faucet Holes	Drainboard Size
BKS-2-1620-12-18L/R	52 1/2" x 25 13/16"	16" x 20" x 12"	1	(1)L/R - 18"
BKS-2-18-12-18L/R	56 1/2" x 23 13/16"	18" x 18" x 12"	1	(1)L/R - 18"
BKS-2-24-14-24L/R	74 1/2" x 29 13/16"	24" x 24" x 14"	1	(1)L/R - 24"



PRODUCT DATA SHEET

BK RESOURCES

