



# Underbar Blender Station w/ Sink

## Stainless Steel Underbar Blender Stations



Use your smart phone to scan the above QR code to visit our website:  
www.bk-resources.com

### Certifications:



(Shown with Optional Faucet)

### Features:

- Integrally Welded Bowl 14"(l) x 10"(w) x 6"(d)
- Accepts 4" O.C. Splash Mount Faucet
- Adjustable End Bracing

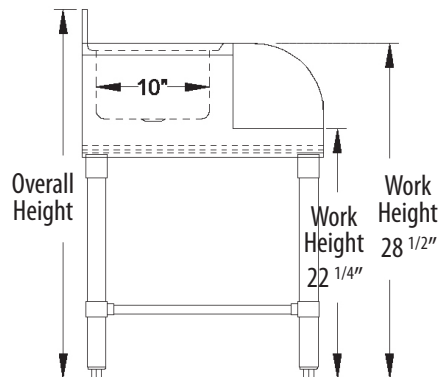
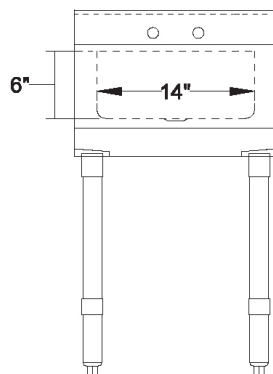
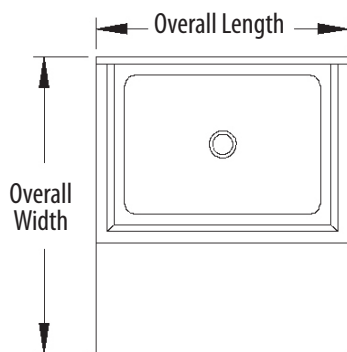
### Material:

- T-304 18 ga. Stainless Steel Top
- Galvanized Legs
- Adjustable High Impact Corrosion Resistant Feet

### Options:

- Upgraded Bullet Feet

Part Number	Unit Size (l x w)	Blender Station Size (l x w x h)	Included Faucet
BKUBS-1410BS	18" x 21 1/4" x 32 1/2"	17 3/4" x 8 1/16" x 7 1/2"	-
BKUBS-1410BS-P-G	18" x 21 1/4" x 32 1/2"	17 3/4" x 8 1/16" x 7 1/2"	BKF-W2-3G-G
BKUBS-1410BS-PHD	18" x 21 1/4" x 32 1/2"	17 3/4" x 8 1/16" x 7 1/2"	BKF-4SM2-3G-G



PRODUCT DATA SHEET

BK RESOURCES

