



# Undercounter Dish Tables

## Dish Tables



Use your smart phone to scan the above QR code to visit our website:  
[www.bk-resources.com](http://www.bk-resources.com)

### Certifications:



### Features:

- 1 5/8" Rolled Edge
- 20" x 20" x 8" Deep Sink
- 10" Backsplash
- Accepts 8" O.C. Splash Mount Faucets
- 3.5" Drain Included: BKDR-4

### Options:

- Pre-Rinse Units & Faucets
- Lever Drains
- Upgraded Bullet Feet
- Pre-Rinse Basket
- Rack Slide

### Material:

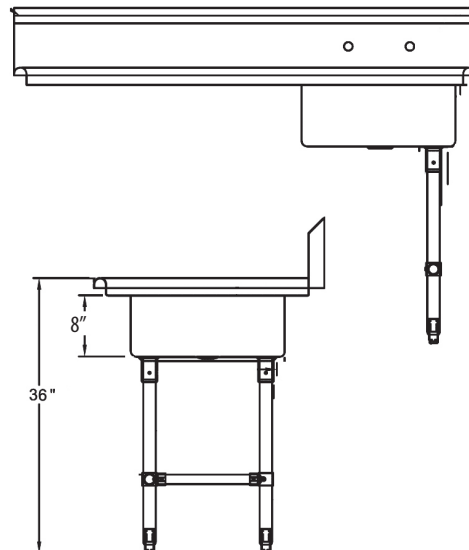
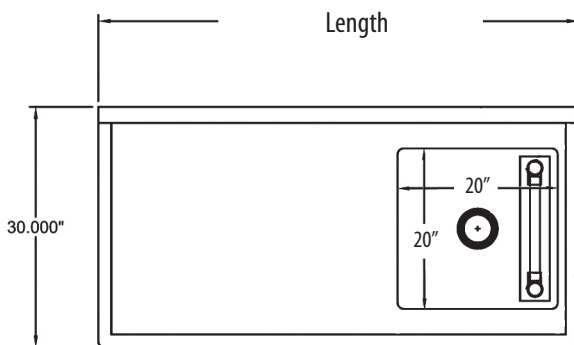
#### S Series: S/S w/ Stainless Steel Legs & Bracing

- T-304 18 ga. Stainless Steel Top & Bowl
- Stainless Steel Legs & Bracing
- Adjustable S/S Over Plastic Bullet Feet

#### G Series: S/S w/ Galvanized Legs & Bracing

- T-304 18 ga. Stainless Steel Top & Bowl
- Galvanized Legs & Bracing
- Adjustable High Impact Corrosion Resistant Feet

S Series		G Series		Sink Side
S/S w/ S/S Legs & Bracing		S/S w/ Galv. Legs & Bracing		
Length	T-304 S/S 30" Width	T-304 S/S 30" Width		
50"	BKUCDT-50-R-SS	BKUCDT-50-R		Right
	BKUCDT-50-L-SS	BKUCDT-50-L		Left
60"	BKUCDT-60-R-SS	BKUCDT-60-R		Right
	BKUCDT-60-L-SS	BKUCDT-60-L		Left



PRODUCT DATA SHEET

BK RESOURCES

