



Underbar Sinks

Stainless Steel Underbar Sinks



Use your smart phone to scan the above QR code to visit our website:
www.bk-resources.com

Certifications:



Features:

- Integrally Welded Bowls 10"(l) x 14"(w) x 10"(d)
- Stamped and Pitched Drainboards
- Standard 21" Depth
- Includes: BKD-10-G Faucet, BKDR-2 Basket Drains, BK-OT-15075 7" Overflow Tubes
- Adjustable End Bracing

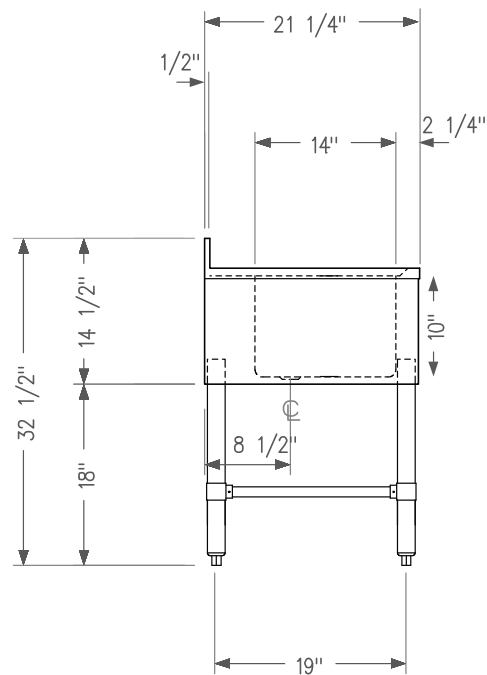
Material:

- T-304 18 ga. Stainless Steel
- Stainless Steel Legs & Bracing
- Adjustable High Impact Corrosion Resistant Feet

Options:

- Upgraded Bullet Feet

Length	Part Number	# of Bowls	Sets of Faucet Holes	Drainboard Size
24"	BKUBS-224S	2	1	N/A
36"	BKUBS-236LS	2	1	(1) L - 12 ^{3/4"}
	BKUBS-236RS	2	1	(1) R - 12 ^{3/4"}
	BKUBS-336S	3	1	N/A
48"	BKUBS-248LS	2	1	(1) L - 24"
	BKUBS-248RS	2	1	(1) R - 24"
	BKUBS-248TS	2	1	(2) - 13 ^{3/16"}
	BKUBS-348LS	3	1	(1) L - 13 ^{5/8"}
	BKUBS-348RS	3	1	(1) R - 13 ^{5/8"}
	BKUBS-448S	4	2	N/A
60"	BKUBS-360LS	3	1	(1) L - 24 ^{1/8"}
	BKUBS-360RS	3	1	(1) R - 24 ^{1/8"}
	BKUBS-360TS	3	1	(2) - 13 ^{1/2"}
72"	BKUBS-372TS	3	1	(2) - 19"
	BKUBS-472TS	4	2	(2) - 13 ^{3/4"}
84"	BKUBS-384TS	3	1	(2) - 25"
	BKUBS-484TS	4	2	(2) - 19"
96"	BKUBS-396TS	3	1	(2) - 31"
	BKUBS-496TS	4	2	(2) - 25"



PRODUCT DATA SHEET

BK RESOURCES

