



# OPEN FLOOR STANDS

Project \_\_\_\_\_

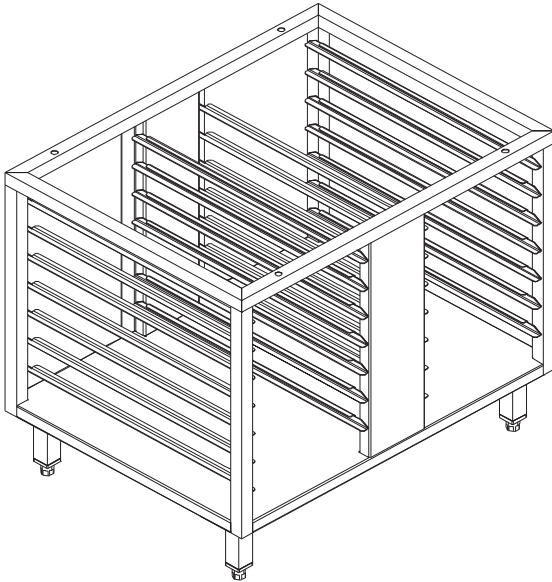
Item No. \_\_\_\_\_

Quantity \_\_\_\_\_

All data is shown per oven section, unless otherwise indicated.

## STANDARD FEATURES

- Exterior of type 304 stainless steel
- Mounted on 6" adjustable legs
- Storage for steam table or sheet pans
- Capable of being hosed down for cleaning



OPEN FLOOR STANDS

### STANDARD CHOICES

(AT ADDITIONAL CHARGE)

- ACS-31** - 14 channels with hold steam table pans. 31" (787.4 mm) high. For COS-6 and COS-101.
- ACS-22S** - 22" (558.8 mm) high with universal pan slides which will hold up to (7) 18" x 26" sheet pans and (6) steam table pans. For COS-101S.
- ACS-22-8** - 22" (558.8 mm) high with universal pan slides which will hold up to (7) 18" x 26" sheet pans and (6) steam table pans. For BC14E or BC14G

### OPTIONS AND ACCESSORIES

(AT ADDITIONAL CHARGE)

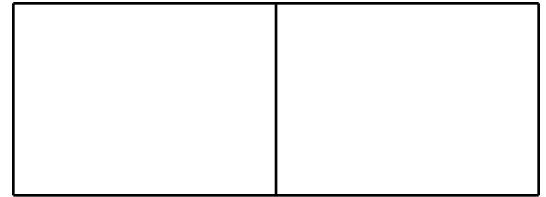
- Casters for unit mobility, 2 locking and 2 non-locking (Cannot be used with legs)

**BLODGETT COMBI**

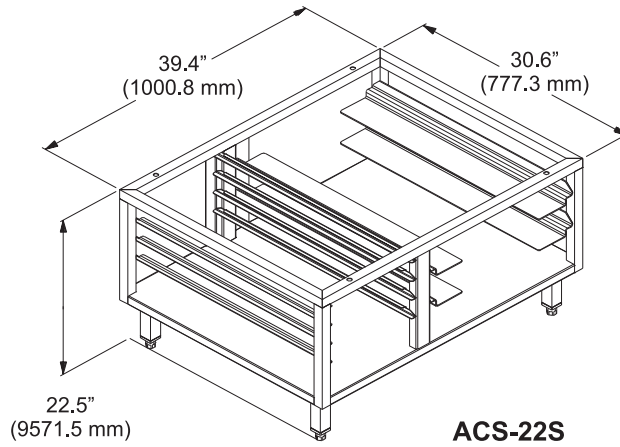
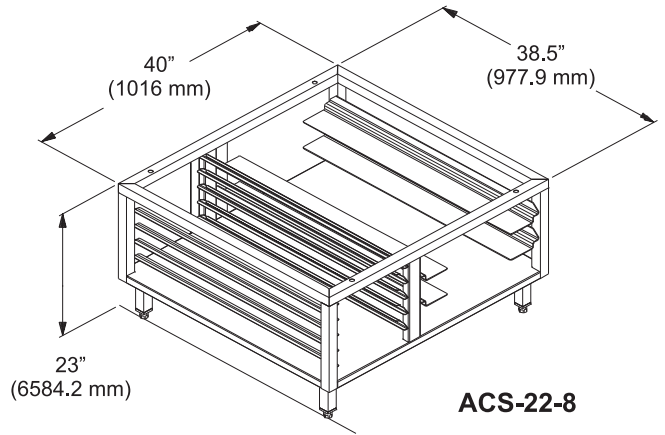
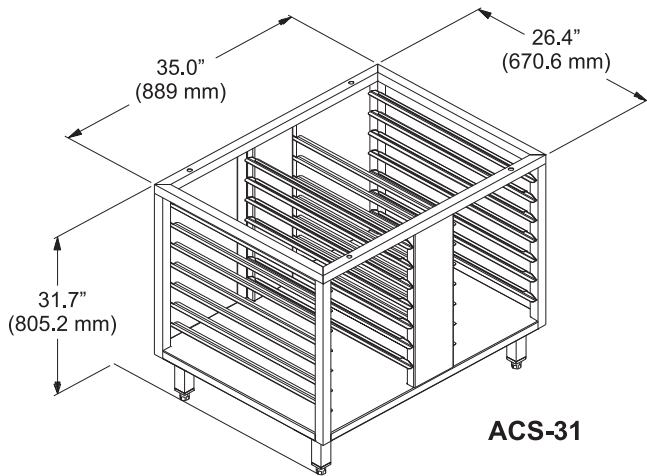
[www.blodgett.com](http://www.blodgett.com)

44 Lakeside Avenue, Burlington, VT 05401 • Phone: (802) 658-6600 • Fax: (802) 864-0183

**OPEN FLOOR STANDS**



**APPROVAL/STAMP**



**NOTE:** The company reserves the right to make substitutions of components without prior notice

**BLODGETT COMBI**

[www.blodgett.com](http://www.blodgett.com)

44 Lakeside Avenue, Burlington, VT 05401 • Phone: (802) 658-6600 • Fax: (802) 864-0183