



BLCP-6-10E

BLCP-6-10E

Double Stack Electric Mini
Combination-Oven/Steamer with
Programmable Control



Project _____
Item No. _____
Quantity _____

- BLCP-6E combi stacked with BLCP-10E combi
BLCP-6E has standard 2 piece rack that holds six 12" x 20" x 2" deep or four 12" x 20" x 2-1/2" deep North American hotel pans
BLCP-10E has standard 2 piece rack that holds ten 12" x 20" x 2" deep or six 12" x 20" x 2-1/2" deep North American hotel pans

Refer to operator manual specification chart for listed model names.

CONSTRUCTION

- 304 stainless steel exterior and interior
- Dual pane tempered viewing window with hinged inner glass for easy cleaning
- 40mm (1.57") fixed drain in the bottom center of cavity
- Door mounted drip tray reduces the risk of wet, slippery floors
- Oven door with ventilated heat-reflecting glass
- CTD Cool Touch Door
- Left hinge door is field convertible to the right side (with the purchase of conversion kit)
- Two step safety door latch. The first step stops the fan.

OPERATION

- Injection steam system - water is injected onto the heating elements, the resulting steam is distributed in the oven chamber by the fan wheel.
- Multiple cooking modes include hot air, CombiOptima, retherm, steaming, low-temperature steaming, forced steaming, proofing, cooling, and preheating
- CombiOptima automatically measures and controls the humidity level in the oven, helping to retain the appearance and juiciness of the product.
- Automated CombiWash, closed circuit cleaning system features very low water and detergent consumption and no contact with chemicals. No proprietary chemicals required, see owner's manual for detergent guidelines.
- Crystal clear TFT display with touch pad control
- Stores up to 200 recipe programs with 10 cooking stages each. Recipes can be grouped into fifteen categories (beef, chicken, cookies, etc.) for easy retrieval.
- Low temperature roast & hold and Delta-T cooking
- Reversible 9 speed fan for optimum baking and roasting results
- USB port for data and recipe transfer
- HACCP recording and documentation
- Programmable time delay start
- 85°-480°F (30°-250°C) temperature range, 575°F (300°C) preheating
- Automatic service diagnosis

STANDARD FEATURES

- Internal core temperature probe with multiple measuring points.
- Bright halogen lights for superior visibility
- Detachable hand shower
- Stand for stacking
- Start-up inspection service by factory authorized service agent
- One year parts and labor oven warranty*

* For all international markets, excluding Canada, contact your local distributor.



OPTIONS AND ACCESSORIES
(AT ADDITIONAL CHARGE)

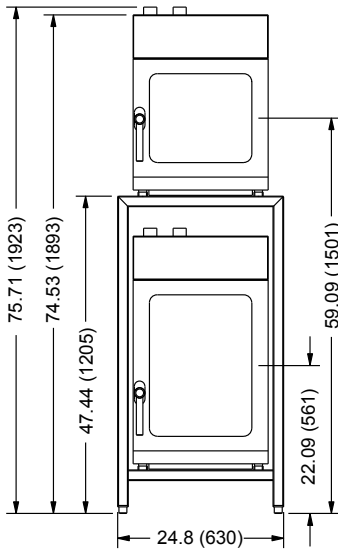
- CombiNet for monitoring and remote-controlling the oven via computer or internet. Functions include recipe management, HACCP, service diagnosis and software updating.
- Wire oven rack
- Extra year warranty

BLODGETT COMBI

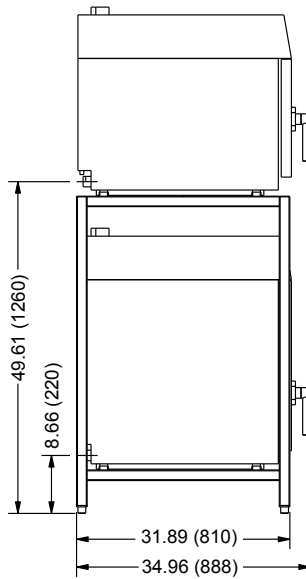


BLCP-6-10E

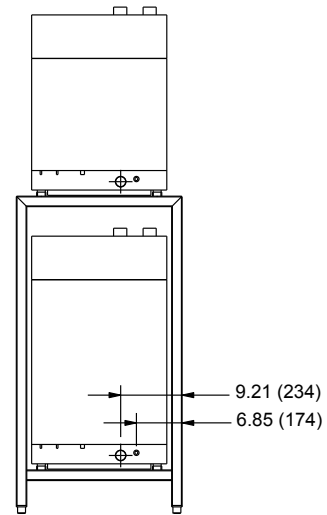
DIMENSIONS ARE IN INCHES (MM)



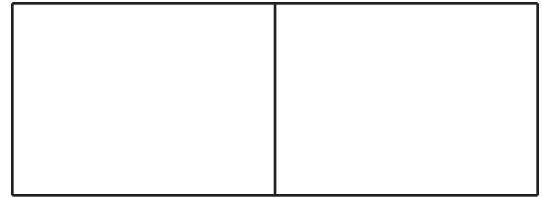
FRONT VIEW



SIDE VIEW



REAR VIEW



APPROVAL/STAMP

SHORT FORM SPECIFICATIONS: Provide Blodgett Combi model BLCP-6-10E combination-oven/steamer. The BLCP-6E (top oven) has a 2 piece rack system that holds six 12" x 20" x 2" deep or four 12" x 20" x 2-1/2" deep North American hotel pans. The BLCP-10E (bottom oven) has a 2 piece rack system that holds ten 12" x 20" x 2" deep or six 12" x 20" x 2-1/2" deep North American hotel pans. Unit shall have 304 stainless steel exterior and interior. Oven sections shall be mounted on stand. Oven doors shall have dual pane tempered viewing window with hinged inner glass for easy cleaning. Unit shall have the ability to cook with pressureless steam, hot air, or combination of steam and hot air. Unit shall have steam injection system. Multiple modes include hot air, combi with CombiOptima, retherming, steaming, low-temperature steaming, forced steaming, proofing, cooling, and preheating. Unit shall have bright halogen lights for superior visibility. Programmable control features crystal clear TFT display, ability to store up to 200 recipe programs with 10 cooking stages per program, recipes can be stored under categories for easy retrieval. Control also features programmable time delay start, delta-T cooking, USB connection to upload and download product recipes and CombiOptima automatic humidity control. HACCP quality control enables you to control and document production, data includes: production time, production duration, preparation temperature, and core temperature. The reversible 9 speed fan provides optimum baking and roasting results. Automated CombiWash, closed circuit cleaning system features very low water and detergent consumption and no contact with chemicals. One-year parts and labor warranty. Provide start-up inspection service by a factory authorized service agent. Provide options and accessories as indicated.

DIMENSIONS:

Floor space: 24.8" x 31.89" (630 x 810mm)
Unit height: 75.71" (1923mm)

OVEN CLEARANCES:

From combustible and non-combustible construction

Sides 2.75" (69.9mm)
 Back 2.75" (69.9mm)
 Top 19.5" (495mm)

Blodgett recommends 12" (305mm) be maintained on the control side for servicing.

WATER SUPPLY:

Good quality water feed is the responsibility of the owner. Water quality must be within the following general guidelines.

TDS: < 100 ppm Hardness: 80-120 ppm
 pH: 7.0 - 8.0 Chlorides: < 30 ppm
 30(min)-50(max) PSI Max. drain temp. 140°F (60°C)
 40mm (1.57") drain connection 3/4" garden hose cold water

The best defense against poor water quality is a water filter system designed to meet your water quality conditions. Blodgett offers an optional water filters from Everpure and Terry Corp. for this unit.

Appliance is to be installed with backflow protection in accordance with Federal, State or Local codes.

POWER SUPPLY (per section):

Voltage	Phase	KW	Hz	Amps
BLCM-6E				
208/230/240	1NAC	3.5/4.2/4.6	50/60	19
208/230/240	2AC	3.5/4.2/4.6	50/60	19
208/230/240	3AC	6.9/8.4/9.2	50/60	39
400/415	2NAC	8.4/9.2	50/60	19
400/415	2AC	8.4/9.2	50/60	19
440/480	2AC	6.9/8.3	50/60	18
BLCM-10E				
208/230/240	3AC	10.4/12.7/13.8	50/60	34
208/230/240	3NAC	10.4/12.7/13.8	50/60	34
400/415	3NAC	12.7/13.8	50/60	20
400/415	3AC	12.7/13.8	50/60	20
440/480	3AC	10.4/12.4	50/60	18

MINIMUM ENTRY CLEARANCE (per section):

Uncrated 24.8" (630mm)
 Crated TBD" (TBDmm)

SHIPPING INFORMATION (per section):

Approx. weight: 337 lbs. (153 kg)
Crate size: TBD

NOTE: The company reserves the right to make substitutions of components without prior notice

BLODGETT OVEN COMPANY

www.blodgett.com 44 Lakeside Avenue, Burlington, VT 05401 • Phone: (802) 658-6600 • Fax: (802) 864-0183