



BLCT-102E

# BLCT-102E

Single Electric  
Boilerless Combination-Oven/Steamer  
with Touchscreen Control



Project \_\_\_\_\_

Item No. \_\_\_\_\_

Quantity \_\_\_\_\_

- Standard pan cassette with 3.35" (85mm) spacing holds eight full size sheet pans or sixteen 12" x 20" x 2-1/2" deep North American hotel pans
- Optional pan cassette with 2.56" (65mm) spacing holds ten full size sheet pans or twenty 12" x 20" x 2" deep Gastronorm pans

Refer to operator manual specification chart for listed model names.

### CONSTRUCTION

- 304 stainless steel exterior and interior
- Dual pane tempered viewing window with hinged inner glass for easy cleaning
- 2" (50mm) fixed drain in the bottom center of cavity
- Door mounted drip tray reduces the risk of wet, slippery floors
- Automatic door stops in positions of 110° and 180°
- Left hinge door is field convertible to the right side (with the purchase of conversion kit)
- Two step safety door latch. The first step stops the fan.

### OPERATION

- Injection steam system - water is injected onto the heating elements, the resulting steam is distributed in the oven chamber by the fan wheel.
- Automatic boiler flushing system
- Easy to use touchscreen control
- Multiple cooking modes include hot air, CombiSmart, CombiOptima, retherm, steaming, low-temperature steaming, forced steaming, proofing, preheating
- Stores up to 500 recipes with up to 15 steps each
- Manual or automatic cooling
- Automatic humidity pulsing
- External core temperature probe
- Rack timing allows for setting individual timers for each rack
- Reversible 9 speed fan for optimum baking and roasting results
- USB port for data and recipe transfer
- HACCP recording and documentation
- Automated CombiWash, closed circuit cleaning system features very low water and detergent consumption and no contact with chemicals. No proprietary chemicals required, see owner's manual for detergent guidelines.

### STANDARD FEATURES

- Rack support platform
- External core temperature probe with multiple measuring points
- 21-1/2" tall stainless steel stand with runners & adjustable feet
- Bright halogen lights for superior visibility
- Built in hand shower
- Removeable cleaning chemical bottle shelf
- Start-up inspection service by factory authorized service agent
- One year parts and labor oven warranty\*

\* For all international markets, contact your local distributor.

**OPTIONS AND ACCESSORIES**  
(AT ADDITIONAL CHARGE)

- **Banqueting Accessories**
  - Pan cassette with 2.56" (65mm) spacing
  - Pan cassette with 3.35" (85mm) spacing
  - Plate cassette with 2.56" (65mm) spacing holds 63 plates
  - Plate cassette with 3.35" (85mm) spacing holds 51 plates
  - Transport trolley, to move the cassette
  - Insulated thermal blanket with vent
- 21-1/2" tall stainless steel stand with runners & casters
- Wire oven rack
- Right hinge door
- Extra year warranty

**OPTIONS AND ACCESSORIES**  
(AT NO CHARGE)

- Optional pan cassette with 2.56" (65mm) spacing



**BLODGETT OVEN COMPANY**

www.blodgett.com • 44 Lakeside Avenue, Burlington, VT 05401 • Phone: (802) 658-6600 • Fax: (802) 864-0183

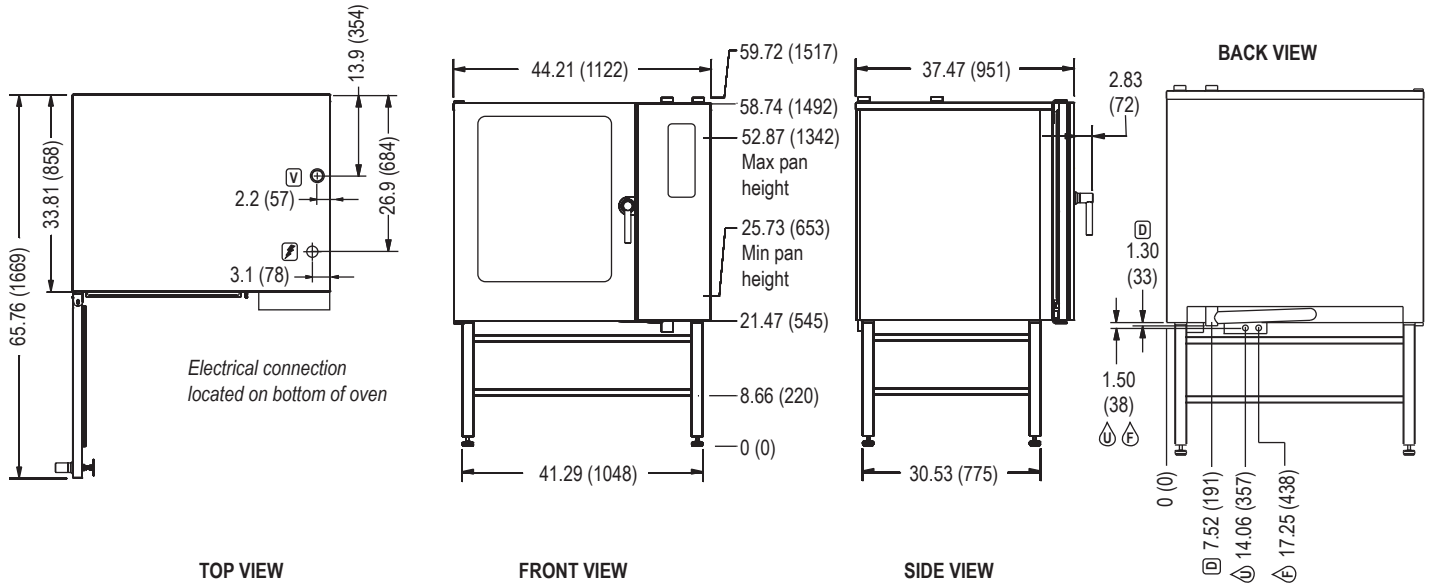


# BLCT-102E



APPROVAL/STAMP

DIMENSIONS ARE IN INCHES (MM)



**SHORT FORM SPECIFICATIONS:** Provide Blodgett Combi model BLCT-102E boilerless combination-oven/steamer. The BLCT-102E rack with 3.35" (85mm) rack spacing holds eight full size sheet pans or sixteen 12" x 20" x 2-1/2" deep North American hotel pans. The optional rack with 2.5" (65mm) spacing holds ten full size sheet pans or twenty 12" x 20" x 2" deep Gastronorm pans. Unit shall have 304 stainless steel exterior and interior. Oven door shall have dual pane tempered viewing window with hinged inner glass for easy cleaning. Unit shall have the ability to cook with pressureless steam, hot air, or combination of steam and hot air. Unit shall have steam injection system. Multiple modes include hot air, combi with CombiOptima, retherming, steaming, low-temperature steaming, forced steaming, proofing, cooling, and preheating. Unit shall have bright halogen lights for superior visibility. Touchscreen control stores 500 recipes with 15 stages each, in addition to pre-programmed recipes. External core temperature probe, rack timing allows for setting individual timers for each rack, HACCP quality control, USB connectivity, automatic service diagnosis. The reversible 9 speed fan provides optimum baking and roasting results. Automated CombiWash, closed circuit cleaning system features very low water and detergent consumption and no contact with chemicals. One-year parts and labor warranty. Provide start-up inspection service by a factory authorized service agent. Provide options and accessories as indicated.

**DIMENSIONS:**

- Floor space:** 44.21" x 37.47" (1122 x 951mm)
- Unit height:**
- Oven on any stand w/feet 59.72" (1517mm)
- Oven on any stand w/casters 59.72" (1517mm)

**OVEN CLEARANCES:**

- From combustible and non-combustible construction*
- Right 4" (102mm)
- Left 0" (0mm)
- Back 2" (50mm)
- Blodgett recommends and 12" (305mm) be maintained on the control side for servicing.

**MINIMUM ENTRY CLEARANCE:**

- Uncrated 37.47" (951mm)
- Crated 38" (965mm)

**POWER SUPPLY:**

Voltage	KW	Phase	Amperage
208 VAC	27	3	75
240 VAC	27	3	65
480 VAC	27	3	33

*Other voltages available, contact factory*

**WATER SUPPLY & DRAIN:**

- Water Supply:** Good quality water feed is the responsibility of the owner. Water quality must be within the following general guidelines.
- TDS:** < 100 ppm      **Hardness:** 80-120 ppm      **pH:** 7.0 - 8.0
- Chlorides:** < 30 ppm      **Pressure:** 40(min)-50(max) PSI      **Chlorine:** 0 ppm
- 3/4" hose cold water connection

The best defense against poor water quality is a water filter system designed to meet your water quality conditions. Blodgett offers optional water filters from Everpure and Terry Corp. for this unit.

- Drain:**
- 2" drain connection      Maximum drain temperature 140°F (60°C)
- Appliance is to be installed with backflow protection in accordance with Federal, State or Local codes.

**SHIPPING INFORMATION:**

- Approx. weight:** 715 lbs. (324 kg)
- Crate size:**
- Oven 40" H x 47" W x 48" D (1016 x 1194 x 1219 mm)
- Stand 34" H x 50" W x 28" D (864 x 1270 x 711 mm)

**NOTE:** The company reserves the right to make substitutions of components without prior notice

**BLODGETT OVEN COMPANY**

www.blodgett.com • 44 Lakeside Avenue, Burlington, VT 05401 • Phone: (802) 658-6600 • Fax: (802) 864-0183