



TRANSPORT CARTS

(Wire shelves not included)



TRANSPORT CARTS

Project _____

Item No. _____

Quantity _____

All data is shown per oven section, unless otherwise indicated.

STANDARD FEATURES

- Exterior of type 304 stainless steel
- Locking pan stop
- Capable of being hosed down for cleaning
- Increases production capacity
- 5" (127 mm) heavy duty casters (2 locking, 2 non-locking)
- Drip pan for waste removal
- Removable cart handle (excluding TC-10 model)

STANDARD CHOICES

- **TC-10** - 10 shelf universal rack guides which are welded, non-removable. Holds up to (10) 18" x 26" sheet pans or (20) 12" x 20" steam table pans up to 4" deep. Supplied without cart handle and handle supports for corrections applications.
- **TC-14** - 26 position rack guides at 3-1/4" spacing. Holds up to (14) 18" x 26" sheet pans on wire shelves or (28) 12" x 20" x 2.5" steam table pans. Utilizes SRG or URG rack guides (see options) Supplied as standard cart.
- **TC-20** - 20 position rack guides at 2-3/8" spacing. Holds up to (20) 18" x 26" sheet pans on wire shelves or (20) 12" x 20" x 2.5" steam table pans. Used primarily for Gastronorm pans (European standards).

OPTIONS AND ACCESSORIES

(AT ADDITIONAL CHARGE)

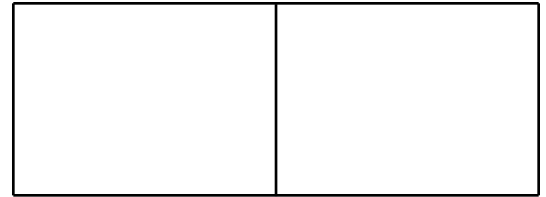
- SRG** - 13 position rack guides for TC-14 cart (set of 2 per cart). Each set holds up to (7) 18" x 26" bake pans on wire shelves or (14) 12" x 20" x 2.5" steam table pans. May be used in conjunction with URG for maximum flexibility.
- URG** - 7 position rack guide for TC-14 cart (set of 2 per cart). Each set holds up to (7) 18" x 26" bake pans or (14) 12" x 20" x 2.5" steam table pans. Wire shelves not required. Guide will not accept steam table pans deeper than 2.5". May be used in conjunction with SRG for maximum flexibility.
- Stainless steel wire shelves.
- Stainless steel chicken roasting rack - Half-size wire shelf with protruding holders. Will accommodate six chickens.

BLODGETT COMBI

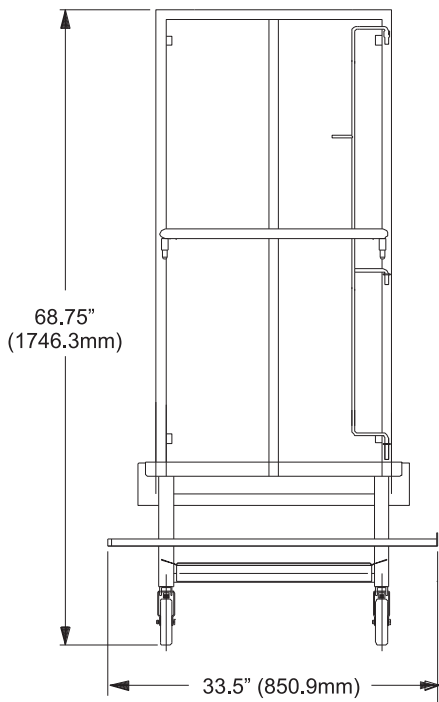
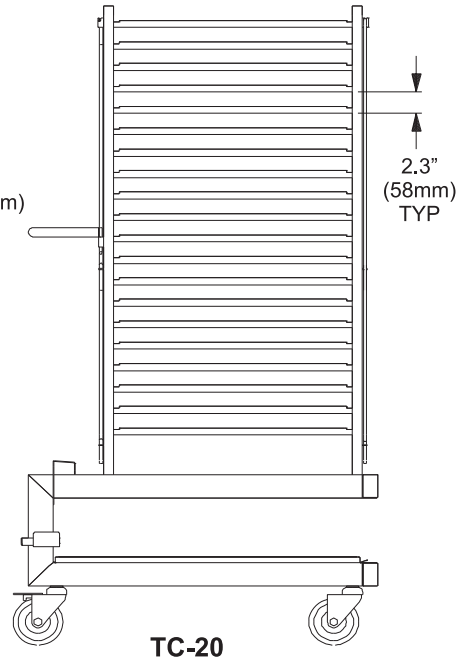
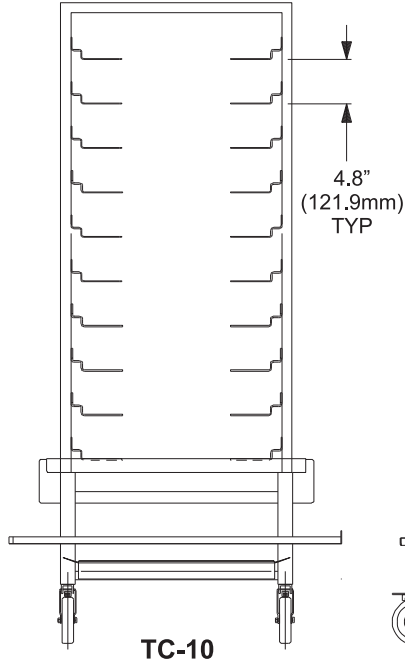
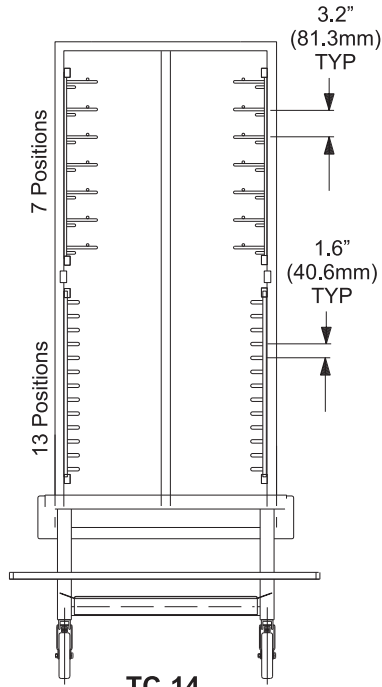
www.blodgett.com

44 Lakeside Avenue, Burlington, VT 05401 • Phone: (802) 658-6600 • Fax: (802) 864-0183

TRANSPORT CARTS

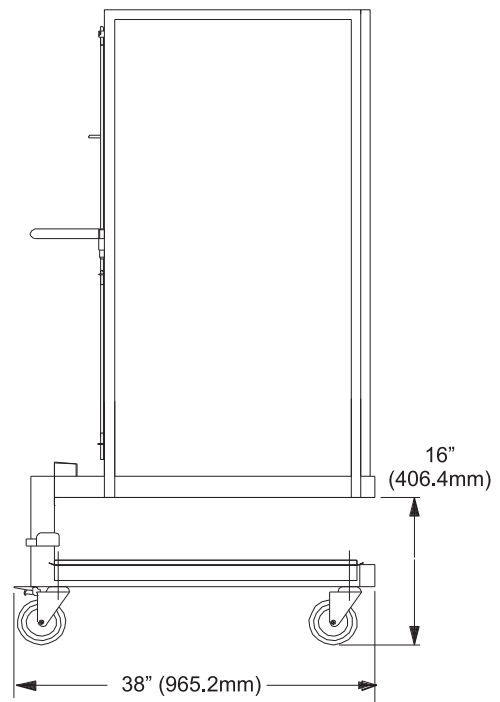


APPROVAL/STAMP



ALL CARTS

CASTERS: 5" (127mm) dia.
front casters have brakes



NOTE: The company reserves the right to make substitutions of components without prior notice

BLODGETT COMBI

www.blodgett.com

44 Lakeside Avenue, Burlington, VT 05401 • Phone: (802) 658-6600 • Fax: (802) 864-0183