

Item No. _____
 Project _____
 Quantity _____



Brewing Excellence

Tea Dispensers

☐ 8799-3G ☐ 8699-3G-SG ☐ 8802-5G
 ☐ 8602-5G-SG ☐ 4G-35-NTD



8699 - Three Gallon
with sight glass



8799 - 3 Gallon



8602 - Five Gallon
with sight glass



8802 - Five Gallon



4G-35-NTD - Four Gallon

STANDARD FEATURES

- All stainless steel construction
- 3 to 5 gallon capacities
- No drip, removable faucet
- Stainless steel handles are welded to the vessel
- Brew-through plastic lids
- Narrow or round models available
- Narrow dispensers use only 1/2 the space as traditional round dispensers
- Round models are available with sight-glass.
- Tall faucet height with 7" to 8" clearance
- Fits all Bloomfield tea brewers and most competitors' brewers
- Attractive colorful graphics
- 1-Year limited parts & labor warranty

OPTIONS & ACCESSORIES

- ☐ NTDS -8748 Single Stand for single Narrow Tea Dispenser. Fits with model 8748 Brewers
- ☐ NTDS-8740 - Single Stand for single Narrow Tea Dispenser. Fits with model 8740

CERTIFICATIONS



DESCRIPTION

Bloomfield Tea Dispensers are designed to promote ice tea & Iced Coffee sales. Attractive & colorful graphics look great and increase impulse purchases. Fits with all Bloomfield tea brewers and most competitors' brewers

SPECIFICATIONS

Exterior – Heavy gauge stainless steel vessel is easy to clean, durable and reliable. Sturdy stainless steel handles are positioned for added comfort and easy transportation. No-drip Faucet keeps your serving station clean. High-Impact plastic lid features brew-through capability.

Interior – Heavy gauge stainless steel vessel does not require a plastic liner. Round dispensers feature a pass-through shank that is easily removable for cleaning, stronger construction and can be replaced rather than having to replace the entire dispenser.

Sheet No. BLMTEA-DIS-04/12



Bloomfield • 10 Sunnen Dr. St. Louis, MO 63143 U.S.A.
 Phone : (314) 678-6336 • Fax (314) 781-3636
 www.wellsbloomfield.com © 2012 Bloomfield • Printed in the U.S.A.

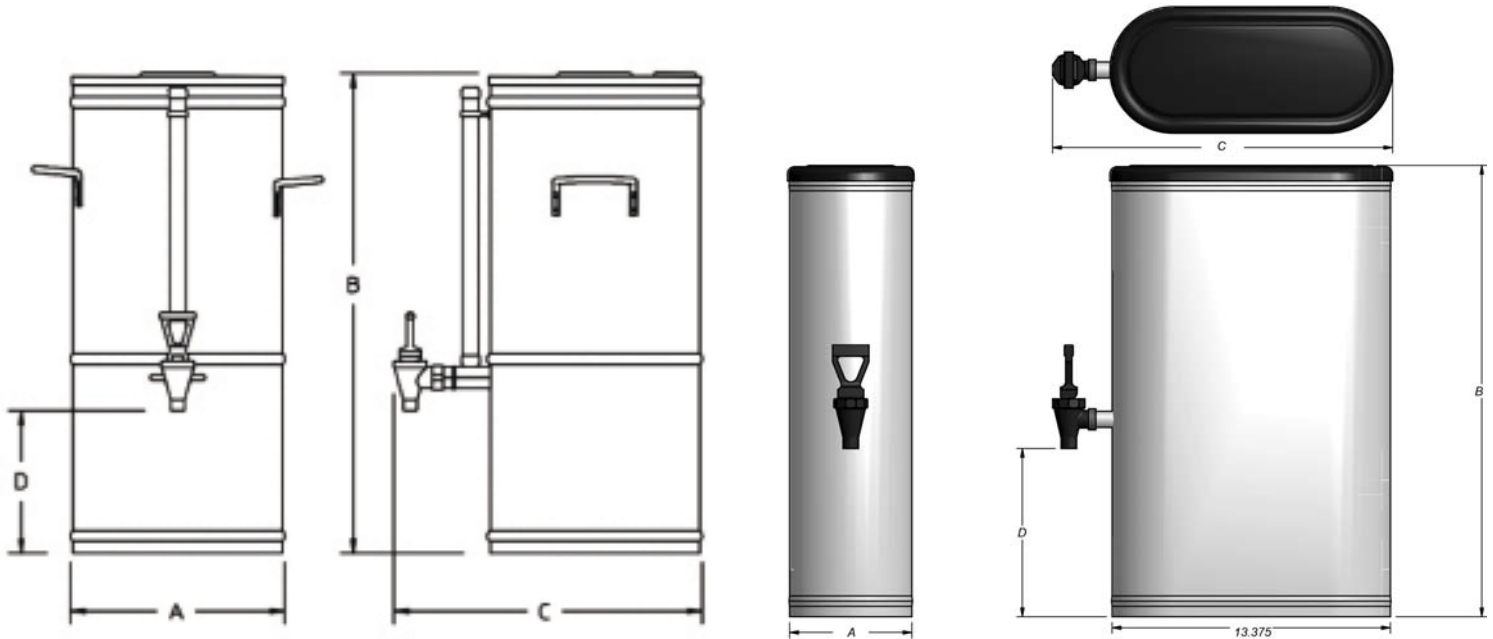
NOTE: Specifications are subject to change without notice and are not intended for installation purposes. See installation instructions prior to installing the unit.



Brewing Excellence

Tea Dispensers

- 8799-3G □ 8699-3G-SG □ 8802-5G
- 8602-5G-SG □ 4G-35-NTD



Round Dispensers

Slim Line Dispenser

MODELS	DIMENSION "A" INCHES (MM)	DIMENSION "B" INCHES (MM)	DIMENSION "C" INCHES (MM)	DIMENSION "D" INCHES (MM)	GALLONS	SIGHT GLASS	HANDLES
8602-5G	10-3/8 (264)	22-3/8 (568)	14-7/8 (378)	7 (178)	5	YES	YES
8699-3G-SG	9 (229)	19-3/8 (492)	13-1/2 (343)	7 (178)	3	YES	YES
8799-3G	9 (229)	19-3/8 (492)	13-1/2 (343)	7 (178)	3	NO	YES
8802-5G-SG	10-3/8 (264)	22-3/8 (568)	14-7/8 (378)	7 (178)	5	NO	YES
4G-35-NTD	5-7/8 (149)	21-3/4 (552)	16-3/8 (452)	8-1/8 (206)	4	NO	YES

CAD SYMBOLS & PRICING



AutoQuotes



Due to periodic changes in designs, methods, procedures, policies and regulations, the specifications contained in this sheet are subject to change without notice. While Wells exercises good faith efforts to provide information that is accurate, we are not responsible for errors or omissions in information provided or conclusions reached as a result of using the specifications. By using the information provided, the user assumes all risks in connection with such use.



Bloomfield • 10 Sunnen Dr. St. Louis, MO 63143 U.S.A.
 Phone : (314) 678-6336 • Fax (314) 781-3636
 www.wellsbloomfield.com © 2012 Bloomfield • Printed in the U.S.A.

NOTE: Specifications are subject to change without notice and are not intended for installation purposes. See installation instructions prior to installing the unit.