

9010 Integrity® Three Warmer In-line Automatic Coffee Brewer *(with Hot Water Faucet)*

9012 Integrity Three Warmer In-line Automatic Coffee Brewer *(with Hot Water Faucet)*

9016 Integrity Three Warmer In-line Automatic Coffee Brewer *(with Hot Water Faucet)*

Integrity®. It's more than just a name. It's a philosophy. It's a belief that building the world's finest coffee brewers means using the best designs and the best parts. Which is exactly what you'll find with this exceptional line. Each model features our exclusive Ready-to-Brew Light and our patented water delivery system. Two foolproof ways to a perfect pot of coffee each and every time. And each unit is made from easy-to-clean stainless steel. Models are available with or without hot water faucets. The Bloomfield Integrity series, honestly the best.

Features

- A high level of commonality of parts with other Bloomfield models will significantly reduce the inventory of spare parts required to service many body styles.
- Exclusive design provides **easy access to components** for quick service.
- **Water volume adjustments** can be made with ease, no panels to remove or tools required.
- **Ready-to-Brew light** indicates the proper water temperature to help eliminate the guesswork in brewing.
- Built-in **pour over feature** provides flexibility.
- **Independent front-mounted hot water faucet** allows drawing of hot water without affecting coffee taste or brewing cycle.
- **Premium quality thermostat** has a full-length stainless steel sensing bulb that recognizes water temperature extremely accurately and cycles less frequently.
- **Superior sprayhead design** spreads water over the coffee grounds, creating agitation and a floating action that completely saturates the coffee to capture the full, rich essence.



Model
9010/9012/9016

THREE WARMER AUTOMATIC COFFEE BREWER

- **Unique water valve with built-in flow control** assures consistent operation at 20-80 p.s.i.
- **One-piece drawn stainless steel water tank** has a superior design for extended life.
- **Three warming stations** with porcelain enameled warmer plates position decanters securely and, with no exposed screw heads, will not scratch or scrape decanters.
- High quality easy to clean **stainless steel construction**.

Accessories

Bloomfield offers a full line of coffee warmers, grinders and glass decanters.



BLOOMFIELD

MODELS 9010, 9012, 9016



E9253

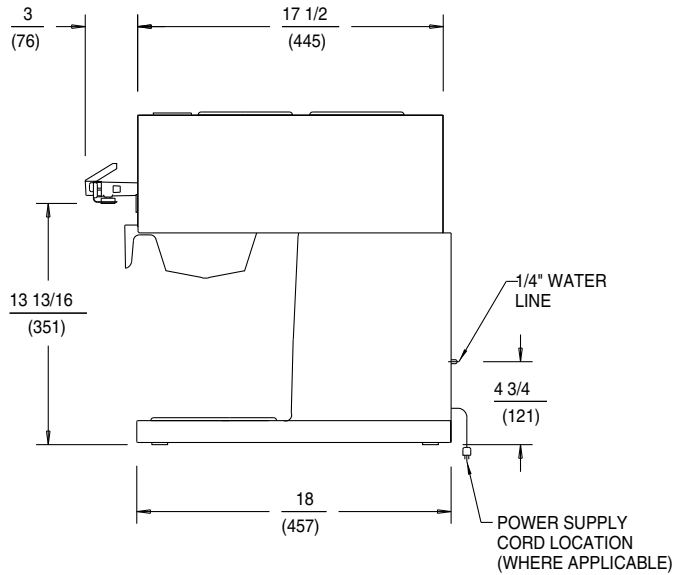
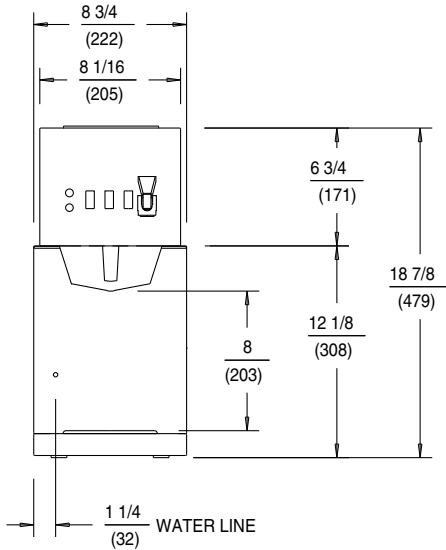


STD 4



EXPORT
MODELS
ONLY

DIMENSIONS: INCH
(MM)



SPECIFICATIONS:

MODELS	WATTS	VOLTS	AMPS	PHASE	POWER CORD SUPPLY
9010	2300	120	19	SINGLE	NEMA 5-20P
9012	1800	120	15	SINGLE	NEMA 5-15P
🇨🇦 9012CA	1500	120	12.5	SINGLE	NEMA 5-15P
🇪🇺 9012EU	2150	220-240	9	SINGLE	SUPPLIED
🇬🇧 9012UK	2150	220-240	9	SINGLE	SUPPLIED
*9016	3800	120/240 4 WIRE	17	SINGLE	NONE
🇪🇺 *9016EX	3800	220-240	17	SINGLE	NONE

🇨🇦 Meets Canadian standards. 🇪🇺 Denotes CE approved models. 🌐 Denotes export products. * Not CSA approved units.

NOTE: Specifications are subject to change without notice and are not intended for installation purposes. See operation and maintenance manual for complete instructions.

ACCESSORIES: See the Bloomfield Brew Brew product catalog for a complete listing of brewers and accessories.



BLOOMFIELD INDUSTRIES
2 ERIK CIRCLE, PO BOX 280, VERDI, NV 89439 U.S.A.
(888) 356-5362 • FAX (800) 356-5142 • www.wellsbloomfield.com • Export: (775) 689-5700 • (775) 689-5972
5850 KEATON CRESCENT, MISSISSAUGA, ONTARIO L5R 3K2 CANADA • (905) 507-1700 • FAX (905) 507-1777 • www.bloomcan.com
©2001 BLOOMFIELD INDUSTRIES • PRINTED IN THE U.S.A. • 04/01 • REV (E) • PART NO. 71592

