



Phoenix Heavy Duty Range with Open Step Up Burners on a Cabinet Base



OPTIONS AND ACCESSORIES (AT ADDITIONAL CHARGE)

- Flue riser
 - 12" high stainless steel short back riser
 - 24.5" high stainless steel high back riser
 - 30" high stainless steel high back riser
- Single-shelf (mounts on 24.5" flue riser)
 - Solid shelf
 - Tubed shelf
- Double-shelf (mounts on 36" flue riser)
 - Solid shelves
 - Tubed shelves
- Gas pressure regulator
 - 1"
 - 1-1/4"
- Interconnect gas line with quick disconnect
 - 36" long
 - 48" long
- Shelf for cabinet
- Cabinet door
- Common plate shelf
- Stainless steel dolly frame with casters
- Casters in lieu of adjustable legs
- Flanged feet with anchor bolts in lieu of adjustable legs
- Additional oven racks
- Michigan style shelf deflector

OPTIONS AND ACCESSORIES (AT NO ADDITIONAL CHARGE)

- Stainless steel insulated work top in lieu of burners

Project _____

Item No. _____

Quantity _____

- Model BPE-1-1** - two 12" wide step up burners on a 12" wide cabinet base
- Model BPE-2-2** - four 12" wide step up burners on a 24" wide cabinet base
- Model BPE-3-3** - six 12" wide step up burners on a 36" wide cabinet base
- Model BPE-4-4** - eight 12" wide step up burners on a 48" wide cabinet base
- Model BPE-5-5** - ten 12" wide step up burners on a 60" wide cabinet base
- Model BPE-6-6** - twelve 12" wide step up burners on a 72" wide cabinet base

SPECIFY

- | | | |
|----------------------------|---|---------------------------------------|
| Gas Type | <input type="checkbox"/> Natural Gas | <input type="checkbox"/> Propane |
| Front Manifold Cap & Cover | <input type="checkbox"/> Required | <input type="checkbox"/> Not Required |
| Rear Manifold* | <input type="checkbox"/> Rear (3/4") | <input type="checkbox"/> Rear (1") |
| Flue Riser Height | <input type="checkbox"/> 5" | <input type="checkbox"/> 12" (option) |
| | <input type="checkbox"/> 24.5" (option) | <input type="checkbox"/> 36" (option) |

Operating altitude (if above 2000 ft (700 meters) _____

* 1-1/4" front manifold is provided on all units. 3/4" or 1" rear manifold connection is capped. Remove cap for rear manifold connection

STANDARD FEATURES (All models)

- Two 30,000 BTU cast iron open burners per 12" section
- Removable cast iron top grates
- Variable size multi-point gas connection
- Stainless steel gas tubing throughout
- One stainless steel pilot per burner
- 14 gauge welded body construction
- Stainless steel front, top, sides, bottom and flue riser
- 5" flue riser
- 6" stainless steel plate shelf
- Stainless steel tray bed for spill collection and easy cleaning
- 3/4" gas regulator shipped uninstalled (additional sizes available as options)
- Stainless steel cabinet interior and exterior
- 6" stainless steel adjustable legs
- Warranty: two year parts and one year labor warranty



PHOENIX HEAVY DUTY RANGE ON CABINET BASE

BLODGETT

www.blodgett.com

44 Lakeside Avenue, Burlington, VT 05401
Phone: (802) 658-6600 • Fax: (802) 864-0183



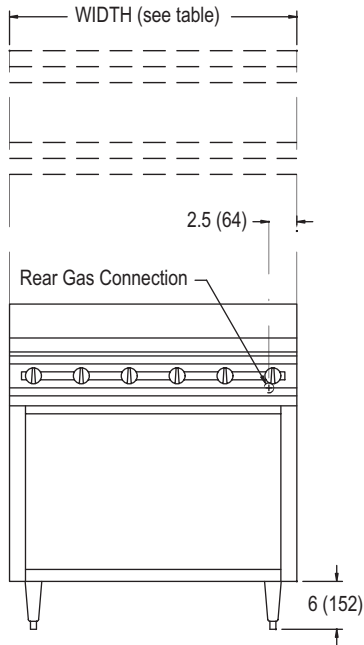
PHOENIX OPEN STEP UP BURNER RANGE ON A CABINET BASE



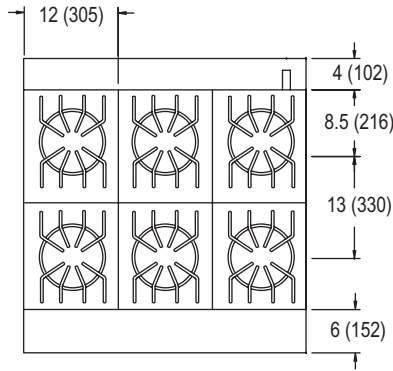
APPROVAL/STAMP

36" WIDE UNITS SHOWN

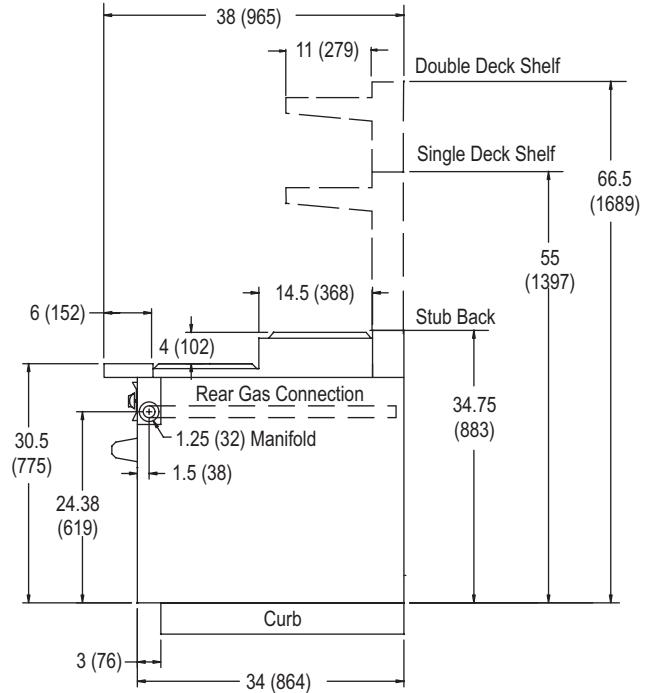
Dimensions are in inches (mm)



FRONT VIEW



TOP VIEW



SIDE VIEW

| MODEL | WIDTH | DEPTH | HEIGHT | SHIPPING WEIGHT |
|---------|-------|-------|-------------|------------------|
| BPE-1-1 | 12" | 38" | See drawing | 180 lbs (82 kg) |
| BPE-2-2 | 24" | | | 265 lbs (120 kg) |
| BPE-3-3 | 36" | | | 500 lbs (227 kg) |
| BPE-4-4 | 48" | | | 650 lbs (295 kg) |
| BPE-5-5 | 60" | | | 810 lbs (367 kg) |
| BPE-6-6 | 72" | | | 980 lbs (444 kg) |

SHORT FORM SPECIFICATIONS

Provide Blodgett heavy duty open step up burner range in 12", 24", 36", 48", 60" or 72" wide models. Unit shall have two 30,000 BTU/hr. cast iron burners controlled by infinite gas valves per 12" section. Unit shall have removable cast iron top grates, with one spill pan below all burners. Unit shall have 14 gauge all welded body with stainless steel front and sides. All gas tubing to be stainless steel throughout with variable size, multipoint gas connection. 3/4" gas regulator provided. To be mounted on stainless steel cabinet base with 6" adjustable legs. Two year parts and one year labor warranty. Provide options and accessories as indicated.

UTILITY INFORMATION

| MODEL | GAS RATING (BTU/hr) | OPERATING PRESSURE | | GAS: Ranges are supplied with 1-1/4" front manifold connection and a 1" or 3/4" capped rear manifold connection. For rear manifold connection, remove cap. Ranges are supplied with 3/4" gas pressure regulator or 1-1/4" or 1" gas pressure regulator, see accessories. (Specify required front manifold cap and cover when ordering.) The unit must be connected with the gas regulator supplied. FLUE EXHAUST: Installation under a vented hood is recommended. |
|---------|---------------------|--------------------|-------------------------------|---|
| | | Natural Gas | Propane | |
| BPE-1-1 | 60,000 | 5" W.C. min. | 10 W.C. min. 14" W.C. max. | |
| BPE-2-2 | 120,000 | | | |
| BPE-3-3 | 180,000 | | | |
| BPE-4-4 | 240,000 | | | |
| BPE-5-5 | 300,000 | | | |
| BPE-6-6 | 360,000 | | | |

NOTE: The company reserves the right to make substitutions of components without prior notice

BLODGETT

www.blodgett.com 44 Lakeside Avenue, Burlington, VT 05401 • Phone: (802) 658-6600 • Fax: (802) 864-0183