



Phoenix Heavy Duty Range with Split Top on a Modular Base



OPTIONS AND ACCESSORIES

(AT ADDITIONAL CHARGE)

- Flue riser
 - 12" high stainless steel short back riser
 - 24.5" high stainless steel high back riser
 - 30" high stainless steel high back riser
- Single-shelf (mounts on 24.5" flue riser)
 - Solid shelf
 - Tubed shelf
- Double-shelf (mounts on 36" flue riser)
 - Solid shelves
 - Tubed shelves
- Gas pressure regulator
 - 1"
 - 1-1/4"
- Interconnect gas line with quick disconnect
 - 36" long
 - 48" long
- Common plate shelf
- Stainless steel dolly frame with casters
- Casters in lieu of adjustable legs
- Flanged feet with anchor bolts in lieu of adjustable legs
- Additional oven racks
- Michigan style shelf deflector

Project _____

Item No. _____

Quantity _____

- Model BPM-1ST** - one burner and one hot top on a 12" wide modular base
- Model BPM-2ST** - two burners and two hot tops on a 24" wide modular base
- Model BPM-3ST** - three burners and three hot tops on a 36" wide modular base
- Model BPM-4ST** - four burners and four hot tops on a 48" wide modular base
- Model BPM-5ST** - five burners and five hot tops on a 60" wide modular base
- Model BPM-6ST** - six burners and six hot tops on a 72" wide modular base

SPECIFY

- | | | |
|----------------------------|---|---------------------------------------|
| Gas Type | <input type="checkbox"/> Natural Gas | <input type="checkbox"/> Propane |
| Front Manifold Cap & Cover | <input type="checkbox"/> Required | <input type="checkbox"/> Not Required |
| Rear Manifold* | <input type="checkbox"/> Rear (3/4") | <input type="checkbox"/> Rear (1") |
| Flue Riser Height | <input type="checkbox"/> 5" | <input type="checkbox"/> 12" (option) |
| | <input type="checkbox"/> 24.5" (option) | <input type="checkbox"/> 36" (option) |

Operating altitude (if above 2000 ft (700 meters) _____

* 1-1/4" front manifold is provided on all units. 3/4" or 1" rear manifold connection is capped. Remove cap for rear manifold connection

STANDARD FEATURES (All models)

- 35,000 BTU per cast iron open burner
- Removable cast iron top grates for open top burners
- 15,000 BTU per hot top section
- Highly polished reinforced cast iron plates for hot top sections
- Variable size multi-point gas connection
- Stainless steel gas tubing throughout
- One stainless steel pilot per burner
- 14 gauge welded body construction
- Stainless steel front, top, sides, bottom and flue riser
- 5" flue riser
- 6" stainless steel plate shelf
- Stainless steel tray bed for spill collection and easy cleaning
- 3/4" gas regulator shipped uninstalled (additional sizes available as options)
- 26" tubular stainless steel legs with adjustable feet (may be ordered without legs)
- Stainless steel crossrails
- Warranty: two year parts and one year labor warranty



PHOENIX HEAVY DUTY RANGE ON MODULAR BASE

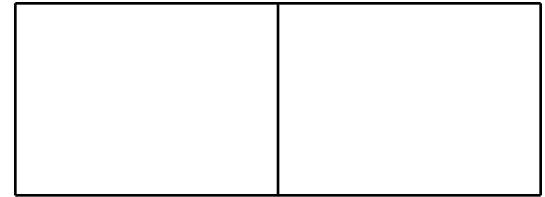
BLODGETT

www.blodgett.com

44 Lakeside Avenue, Burlington, VT 05401 • Phone: (802) 658-6600 • Fax: (802) 864-0183



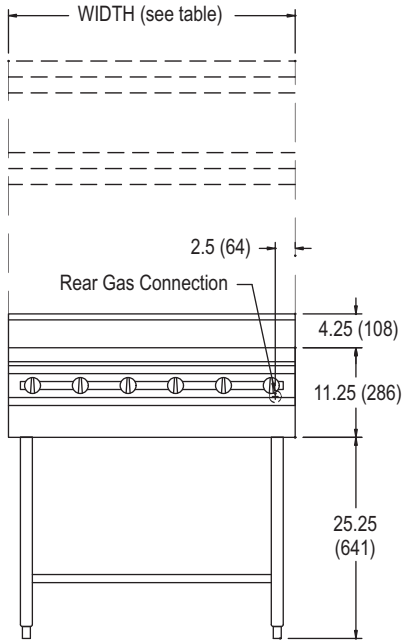
PHOENIX SPLIT TOP RANGE ON A MODULAR BASE



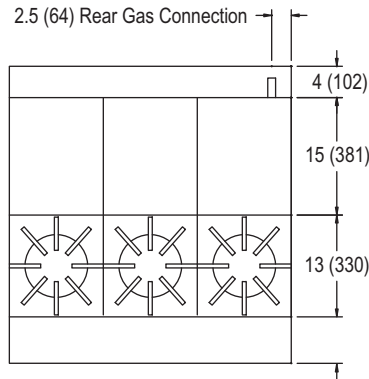
APPROVAL/STAMP

36" WIDE UNITS SHOWN

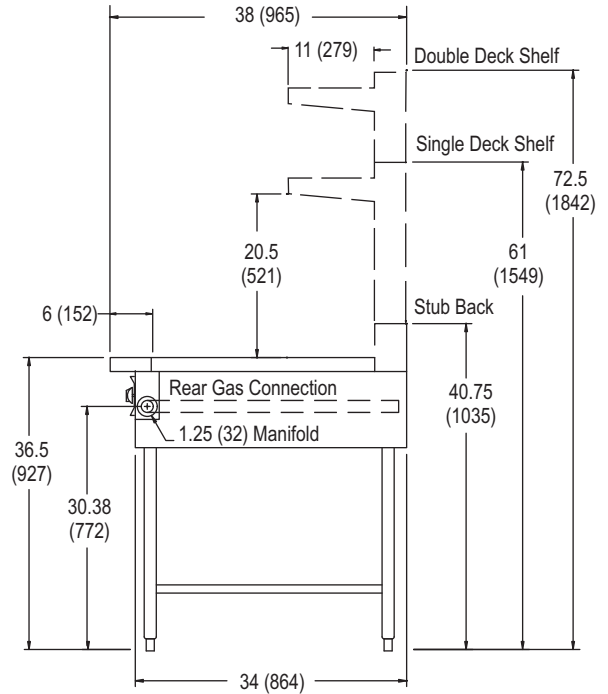
Dimensions are in inches (mm)



FRONT VIEW



TOP VIEW



SIDE VIEW

MODEL	WIDTH	DEPTH	HEIGHT	SHIPPING WEIGHT
BPM-1ST	12"	38"	See drawing	150 lbs (68 kg)
BPM-2ST	24"			265 lbs (120 kg)
BPM-3ST	36"			430 lbs (195 kg)
BPM-4ST	48"			580 lbs (263 kg)
BPM-5ST	60"			695 lbs (315 kg)
BPM-6ST	72"			860 lbs (390 kg)

SHORT FORM SPECIFICATIONS
Provide Blodgett heavy duty split top range in 12", 24", 36", 48", 60" or 72" wide models. Unit shall have 35,000 BTU/hr. open top burners in front controlled by infinite gas valves. Open top burners shall have removable cast iron top grates, with one spill pan below all burners. Unit shall also have 15,000 BTU burners per hot top section with polished reinforced cast iron plates in rear. Unit shall have 14 gauge all welded body with stainless steel front and sides. All gas tubing to be stainless steel throughout with variable size, multipoint gas connection. 3/4" gas regulator provided. To be mounted on 26" tubular stainless steel legs with adjustable feet. Two year parts and one year labor warranty. Provide options and accessories as indicated.

UTILITY INFORMATION			
MODEL	GAS RATING (BTU/hr)	OPERATING PRESSURE	
		Natural Gas	Propane
BPM-1ST	50,000	5" W.C. min.	10 W.C. min. 14" W.C. max.
BPM-2ST	100,000		
BPM-3ST	150,000		
BPM-4ST	200,000		
BPM-5ST	250,000		
BPM-6ST	300,000		

GAS: Ranges are supplied with 1-1/4" front manifold connection and a 1" or 3/4" capped rear manifold connection. For rear manifold connection, remove cap. Ranges are supplied with 3/4" gas pressure regulator or 1-1/4" or 1" gas pressure regulator, see accessories. (Specify required front manifold cap and cover when ordering.) The unit must be connected with the gas regulator supplied.

FLUE EXHAUST: Installation under a vented hood is recommended.

NOTE: The company reserves the right to make substitutions of components without prior notice

BLODGETT

www.blodgett.com 44 Lakeside Avenue, Burlington, VT 05401 • Phone: (802) 658-6600 • Fax: (802) 864-0183

Printed in U.S.A.

NOTE: FOR COMMERCIAL USE ONLY

P/N BR00067 Rev A (5/11)