



**Phoenix Heavy Duty
Remote Refrigerator & Freezer Bases**



Shown with griddle and charbroiler range tops, salamander & high riser

OPTIONS AND ACCESSORIES

(AT ADDITIONAL CHARGE)

- Cabinet Base Extensions, match height of refrigerator and freezer base
 - BPCBE-6, 6" wide cabinet extension
 - BPCBE-12, 12" wide cabinet extension
 - BPCBE-18, 18" wide cabinet extension
 - BPCBE-24, 24" wide cabinet extension
- Condensate evaporator

CAPACITY

MODEL	14-3/8" Drawers	27-1/14" Drawers	Pans
REFRIGERATOR BASES			
BPRLH-02R-T-36		2	4
BPRLH-04R-T-54	2	2	6
BPRLH-04R-T-66		4	8
BPRLH-04R-T-72		4	8
BPRLH-06R-T-84	2	4	10
BPRLH-06R-T-96		6	12
FREEZER BASES			
BPFLH-02R-T-36		2	3
BPFLH-04R-T-54	2	2	5
BPFLH-04R-T-66		4	7
BPFLH-04R-T-72		4	7

Project _____

Item No. _____

Quantity _____

Refrigerator Bases

- Model BPRLH-02R-T-36 - 36" wide two drawer refrigerator base
- Model BPRLH-04R-T-54 - 54" wide four drawer refrigerator base
- Model BPRLH-04R-T-66 - 66" wide four drawer refrigerator base
- Model BPRLH-04R-T-72 - 72" wide four drawer refrigerator base
- Model BPRLH-06S-T-84 - 84" wide six drawer refrigerator base
- Model BPRLH-06S-T-96 - 96" wide six drawer refrigerator base

Freezer Bases

- Model BPFLH-02R-T-36 - 36" wide two drawer freezer base
- Model BPFLH-04R-T-54 - 54" wide four drawer freezer base
- Model BPFLH-04R-T-66 - 66" wide four drawer freezer base
- Model BPFLH-04R-T-72 - 72" wide four drawer freezer base

Bases must be ordered in conjunction with Blodgett Phoenix modular range units only.

STANDARD FEATURES (All models)

- Cabinet interiors, front face and sides to be stainless steel
- Drawers and cabinet are 100% polyurethane "Shot-In-Place" foam insulated
- Drawer faces have flush mount pull handle. Face and back to be stainless steel
- Self closing drawers have 14 gauge stainless steel track, with 2" heavy duty skate wheel
- Heavy duty rubber drawer gaskets
- Drawers to be easily removable for cleaning
- Drawers to accommodate 6" deep 12" x 20" hotel pans
- Specially designed high density breaker strips installed during the foaming process, without any visible fasteners
- Face mounted dial thermometers
- Blower coil evaporator with R-404 expansion valve unless otherwise specified
- Internal conduit for single point electrical connection
- Sleeves for refrigeration and drain lines
- Stainless steel 6" adjustable legs
- Warranty: two year parts and one year labor warranty



PHOENIX REMOTE REFRIGERATORS & FREEZERS

BLODGETT

www.blodgett.com

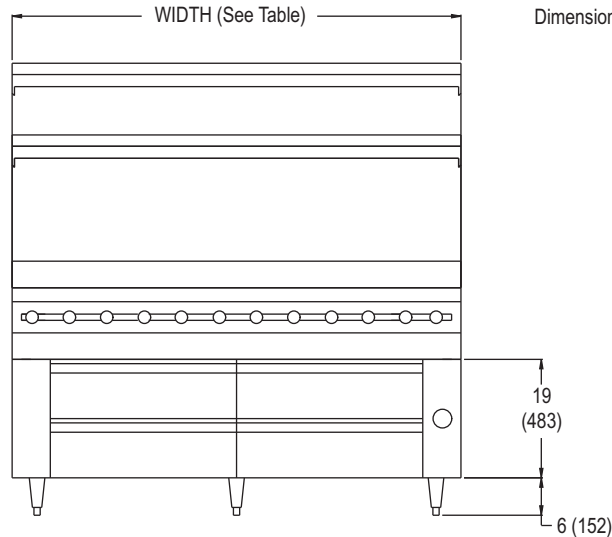
44 Lakeside Avenue, Burlington, VT 05401 • Phone: (802) 658-6600 • Fax: (802) 864-0183



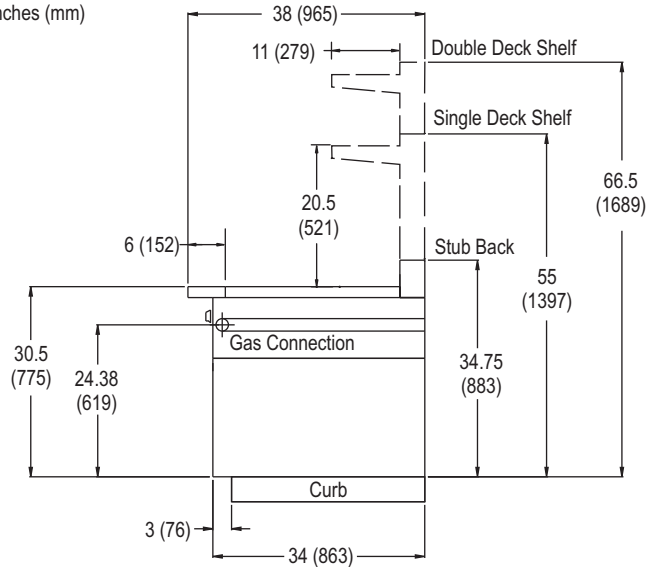
PHOENIX REMOTE REFRIGERATORS & FREEZERS



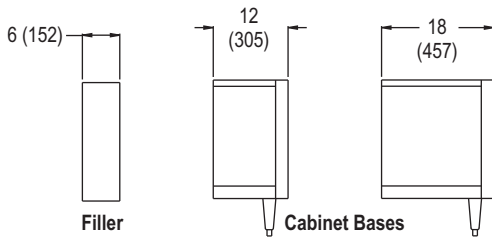
APPROVAL/STAMP



Dimensions are in inches (mm)



SIDE VIEW



FRONT VIEWS

SHORT FORM SPECIFICATIONS

Provide Blodgett heavy duty remote refrigerator and freezer base. Cabinet interior, front, face, drawers and sides to be stainless steel. Drawers and cabinet to be 100% polyurethane "Shot-In-Place" foam insulated. Provide easily removable self closing drawers to accommodate 6" deep 12" x 20" hotel pans and 14 gauge stainless steel track, with 2" heavy duty skate wheels. Provide heavy duty rubber drawer gaskets, face mounted dial thermometers, blower coil evaporator with R-404 expansion valve, internal conduit for single point electrical connection. Sleeves for refrigeration and drain lines. Supply stainless steel adjustable 6" legs Two year parts and one year labor warranty. Provide options and accessories as indicated.

UTILITY INFORMATION			
MODEL	Amps	BTUs*	Suggested H/P**
REFRIGERATOR BASES			
BPRLH-02R-T-36	1.45	2,600	1/4
BPRLH-04R-T-54	3.2	2,600	1/4
BPRLH-04R-T-66	3.2	2,900	1/3
BPRLH-04R-T-72	3.2	2,900	1/3
BPRLH-06R-T-84	3.2	2,900	1/3
BPRLH-06R-T-96	3.2	2,900	1/3
FREEZER BASES			
BPFLH-02R-T-36	3.5	1,380	1/4
BPFLH-04R-T-54	4.4	1,800	1/3
BPFLH-04R-T-66	4.4	1,800	1/3
BPFLH-04R-T-72	4.4	1,800	1/3
ELECTRIC: 115VAC, 60 HZ, 1 phase. Electrical junction box, refrigeration line stub out and drain line are all standard rear connections.			

MODEL	CU FT	WIDTH	DEPTH	HEIGHT	SHIPPING WEIGHT
REFRIGERATOR BASES					
BPRLH-02R-T-36	7	36"	34"	19-1/4"	275 lbs (125 kg)
BPRLH-04R-T-54	11	54"			390 lbs (177 kg)
BPRLH-04R-T-66	14	66"			450 lbs (204 kg)
BPRLH-04R-T-72	14	72"			475 lbs (215 kg)
BPRLH-06R-T-84	18	84"			575 lbs (261 kg)
BPRLH-06R-T-96	20	96"			625 lbs (283 kg)
FREEZER BASES					
BPFLH-02R-T-36	7	36"	34"	19-1/4"	275 lbs (125 kg)
BPFLH-04R-T-54	11	54"			390 lbs (177 kg)
BPFLH-04R-T-66	14	66"			450 lbs (204 kg)
BPFLH-04R-T-72	14	72"			475 lbs (215 kg)

* Based on 90°F ambient and 20°F evaporator
 ** For condensing unit (not to exceed 20 ft. run)

NOTE: The company reserves the right to make substitutions of components without prior notice

BLODGETT

www.blodgett.com 44 Lakeside Avenue, Burlington, VT 05401 • Phone: (802) 658-6600 • Fax: (802) 864-0183