



Synergy Steam

G-KTT Gas Table Top Tilting Kettle



G-KTT TABLE TOP TILTING KETTLE

Project \_\_\_\_\_
Item No. \_\_\_\_\_
Quantity \_\_\_\_\_

- Model 6G-KTT - 6 gallon (23 litres) gas table top tilting kettle
Model 10G-KTT - 10 gallon (38 litres) gas table top tilting kettle
Model 12G-KTT - 12 gallon (45 litres) gas table top tilting kettle

CONSTRUCTION

- 304 stainless steel, one-piece welded construction
2/3 jacketed kettle
All exposed surfaces shall be stainless steel
Kettle exterior high buff polish stainless.
ASME shop inspected, stamped and registered with the National Board for operation up to a maximum working pressure of 50 PSI.
Heavy reinforced bar rim with a welded-in butterfly shaped pouring lip for pouring control and durability

OPERATION

- Gas-heated (natural, butane, propane) self-contained steam source to provide kettle temperatures of 150 to approximately 295°F
Patented fin tube burner assembly delivers efficient combustion
Thermostatically controlled to shut off automatically when desired temperature is reached or on when temperature falls below desired setting
Factory charged with chemically-pure water and rust inhibitors to ensure long life and minimum maintenance
Easily tilt kettle, even when kettle is filled to capacity
Pouring height allows filling of 4" high pans on the table top
Tilt handle is field reversible for right or left hand tilt
Thermostat
Pressure gauge
Gas regulator valve
On/Off switch
Front mounted water sight glass
Electronic spark ignition
Pressure relief valve
High limit pressure switch
Low water cut off
Power on, heating, and low water indicator lights
Gas supply shuts off automatically when the unit is tilted past 12°

OPTIONS AND ACCESSORIES

(AT ADDITIONAL CHARGE)

- Etched markings
Gallons
Litres
Faucets
Single pantry faucet
Double pantry faucet
Pre-rinse spray faucet with bracket
Basket insert
Lift off cover
Holder for lift off cover
Stand mounting kit
316 stainless steel interior
Kettle brush kit
Lip strainers

STANDARD FEATURES

- Faucet bracket
One year parts and labor warranty\*

\* For all international markets, contact your local distributor.



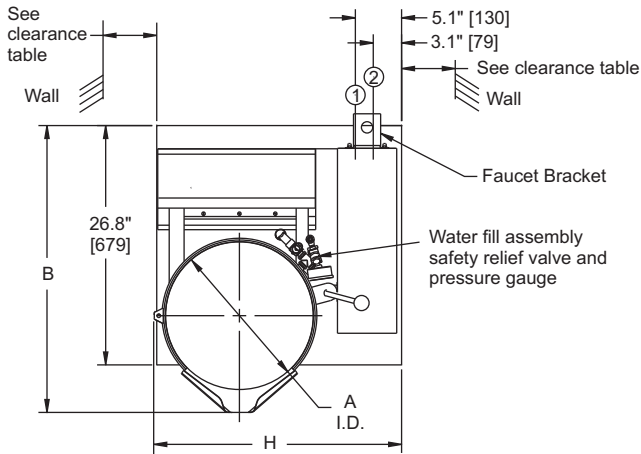
BLODGETT

www.blodgett.com

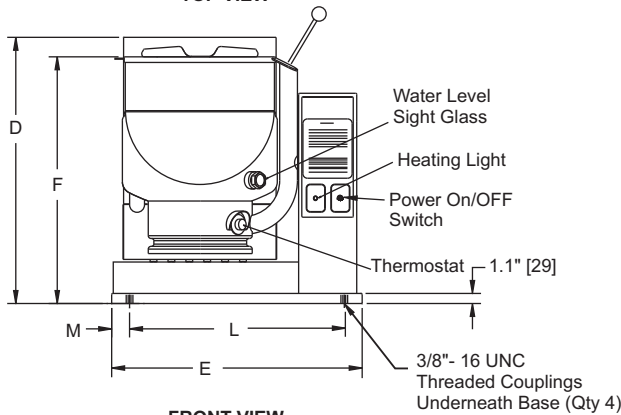
44 Lakeside Avenue, Burlington, VT 05401 • Phone: (802) 658-6600 • Fax: (802) 864-0183



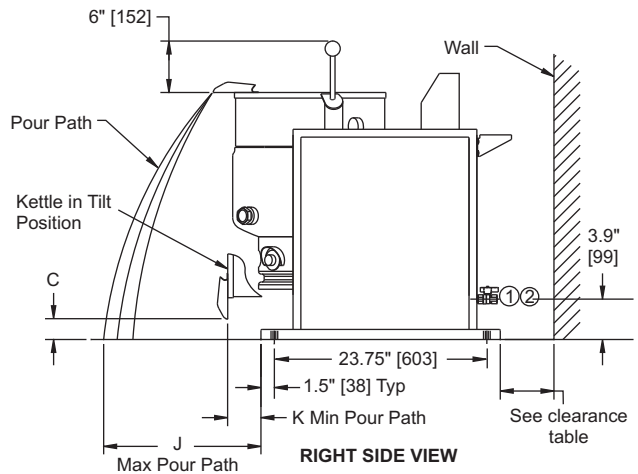
# G-KTT TABLE TOP TILTING KETTLE



TOP VIEW



FRONT VIEW



RIGHT SIDE VIEW

### SHORT FORM SPECIFICATIONS

Provide Blodgett model 6G-KTT (6 gallon), 10G-KTT (10 gallon) or 12G-KTT (12 gallon) gas fired, stainless steel, steam jacketed kettle. Unit shall have controls in gasketed compartment, with heavy reinforced rim with welded butterfly shaped pouring lip. Field reversible left or right hand tilt handle. NSF listed, ASME code constructed for 50 PSI maximum. Electronic spark ignition standard. 6G-KTT to have 31,000 BTU/hr, 10G-KTT and 12G-KTT to have 52,000 BTU/hr firing rate. Requires 1/2" NPT gas line and 115 volt electric service. CSA (formerly AGA) and CGA Design Certified. Provide options and accessories as indicated.

### MAXIMUM INPUT:

6G-KTT	31,000 BTU
10G-KTT	52,000 BTU
12G-KTT	52,000 BTU

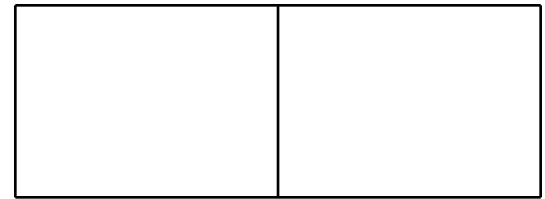
### GAS SUPPLY:

1/2" NPT connection required. A gas shut-off valve must be installed in supply piping convenient and adjacent to unit.

#### Inlet Pressure:

Natural	5" W.C. min, 14" W.C. max
Propane	12" W.C. min, 14" W.C. max

**NOTE:** The company reserves the right to make substitutions of components without prior notice.



### APPROVAL/STAMP

#### NOTES:

1. Gas Inlet: 1/2" NPT
2. Electrical Supply: 1/2" Water resistant conduit
3. Dimensions are inches [mm]

#### INSTALLATION CLEARANCES

	Minimum Distance From Combustible Walls	Recommended Distance
Left Side	1"	1"
Right Side	0"	12" for servicing
Rear	1"	3" for faucet bracket

	6G-KTT	10G-KTT	12G-KTT
<b>A</b>	14 (356)	16.5 (419)	16.5 (419)
<b>B</b>	30.38 (772)	32 (813)	32 (813)
<b>C</b>	5.5 (140)	1.63 (41)	1.63 (41)
<b>D</b>	25.38 (645)	29.5 (749)	29.5 (749)
<b>E</b>	24 (610)	28 (711)	28 (711)
<b>F</b>	24.75 (629)	27.63 (702)	30.13 (765)
<b>H</b>	25.75 (654)	28 (711)	28 (711)
<b>J</b>	18 (457)	20.13 (511)	20.13 (511)
<b>K</b>	6 (152)	3.5 (89)	6 (152)
<b>L</b>	21 (533)	24 (610)	24 (610)
<b>M</b>	1.5 (38)	2 (51)	2 (51)

	6G-KTT	10G-KTT	12G-KTT
<b>A</b>	14 (356)	16.5 (419)	16.5 (419)
<b>B</b>	30.38 (772)	32 (813)	32 (813)
<b>C</b>	5.5 (140)	1.63 (41)	1.63 (41)
<b>D</b>	25.38 (645)	29.5 (749)	29.5 (749)
<b>E</b>	24 (610)	28 (711)	28 (711)
<b>F</b>	24.75 (629)	27.63 (702)	30.13 (765)
<b>H</b>	25.75 (654)	28 (711)	28 (711)
<b>J</b>	18 (457)	20.13 (511)	20.13 (511)
<b>K</b>	6 (152)	3.5 (89)	6 (152)
<b>L</b>	21 (533)	24 (610)	24 (610)
<b>M</b>	1.5 (38)	2 (51)	2 (51)

### ELECTRICAL CONNECTION:

Requires one 115 Volt, single-phase, 60 HZ, 5 AMP supply.

### SHIPPING INFORMATION:

#### Approx. Weight:

6G-KTT	220 lbs. (100 kg)
10G-KTT	240 lbs. (109 kg)
12G-KTT	245 lbs. (111 kg)

### BLODGETT

www.blodgett.com

44 Lakeside Avenue, Burlington, VT 05401 • Phone: (802) 658-6600 • Fax: (802) 864-0183