



Synergy Steam

DS-KLT
Direct Steam Tri-Leg Tilting Kettle



OPTIONS AND ACCESSORIES
(AT ADDITIONAL CHARGE)

- Etched markings
Gallons
Litres
Strainers
1/8" perforated disc strainer
1/4" perforated disk strainer
Solid disc strainer
Lip strainer
Covers
Lift-off cover available for 20 to 80-gallon models
Counter-balanced cover available on 40 to 80-gallon models
Faucets
Single pantry
Double pantry
Tangent Draw Offs
2" draw off
3" draw off
Basket inserts
Cold water cooling
Steam trap assemblies
Kettle brush kit
Pan carrier for 40 and 60 gallon kettles
Contour measuring strip

Project \_\_\_\_\_

Item No. \_\_\_\_\_

Quantity \_\_\_\_\_

- Model 20DS-KLT - 20 gallon (76 litres) direct steam tri-leg tilting kettle
Model 40DS-KLT - 40 gallon (151 litres) direct steam tri-leg tilting kettle
Model 60DS-KLT - 60 gallon (227 litres) direct steam tri-leg tilting kettle
Model 80DS-KLT - 80 gallon (303 litres) direct steam tri-leg tilting kettle

CONSTRUCTION

- 316 stainless steel, one-piece welded construction
2/3 jacketed kettle
All exposed surfaces shall be stainless steel
Heavy, durable bar rim with a continuous seal weld on the underside to ensure maximum durability and sanitation.
Trunnion-mounted to stainless steel yoke stand with tubular leg supports
Self-locking gear tilt mechanism and rotary steam joint are completely enclosed in stainless steel housing, mounted on the right kettle support arm
Large hand crank provides easy operator tilting and precise pouring control
Heavy-duty, butterfly-shaped pouring lip welded to the top rim of kettle to ensure proper pouring control at all times
ASME shop-inspected, stamped and registered with the National Board for operation up to a maximum working pressure of 25 PSI

STANDARD FEATURES

- Faucet bracket
2" sanitary tangent drawoff
One year parts and labor warranty\*

\* For all international markets, contact your local distributor.



BLODGETT

www.blodgett.com

44 Lakeside Avenue, Burlington, VT 05401

Phone: (802) 658-6600 • Fax: (802) 864-0183

DS-KLT TRI-LEG TILTING KETTLE



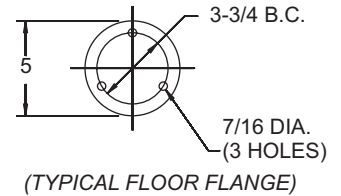
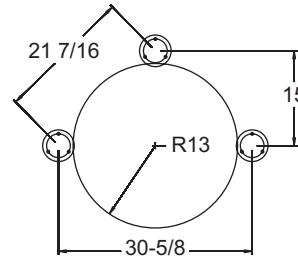
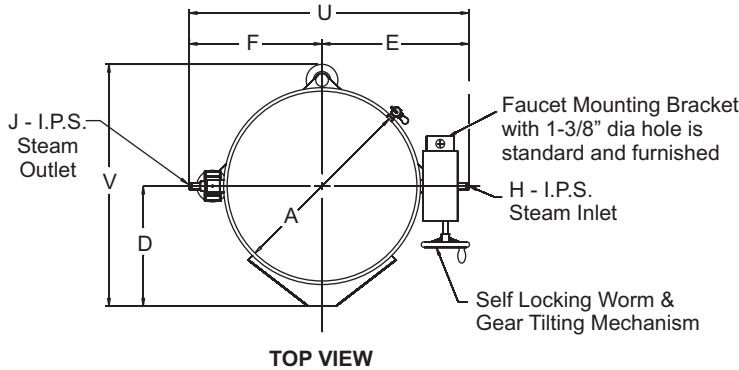
# DS-KLT TRI-LEG TILTING KETTLE



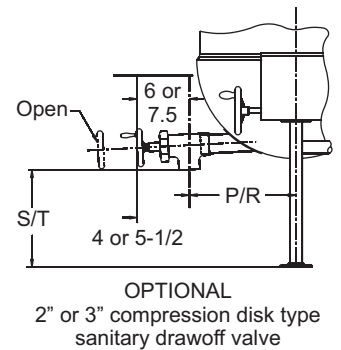
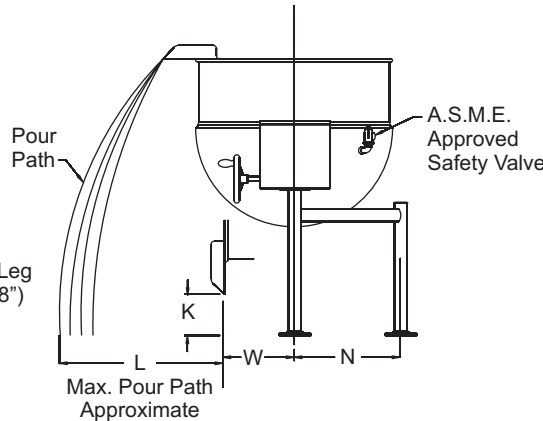
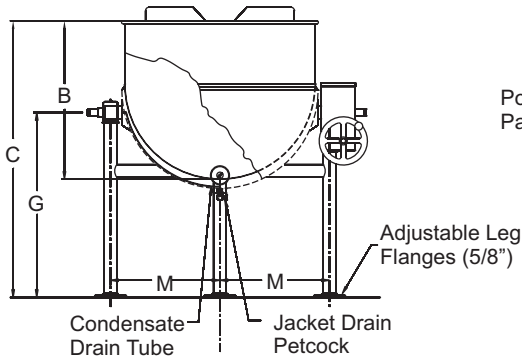
## APPROVAL/STAMP

### NOTES:

1. Approximately 5 PSI required to push condensation up drain tube.
2. Leg flanges must be securely anchored to the floor.
3. Dimensions refer to kettles with 2" drawoff valve.



LEG LOCATION



FRONT VIEW

SIDE VIEW

### SHORT FORM SPECIFICATIONS

Provide Blodgett model 20DS-KLT (20 gallon), 40DS-KLT (40 gallon), 60DS-KLT (60 gallon), 80DS-KLT (80 gallon) or 100DS-KLT (100 gallon) direct steam tri-leg tilting kettle. Unit shall be stainless steel, 2/3 jacketed, direct steam stationary kettle. Solid one-piece welded construction of type 316 stainless steel liner and 304 stainless steel jacket with heavy-duty reinforced bar rim and extra heavy, wide pouring lip welded to top rim of kettle. Quick-action self locking worm gear tilt mechanism standard. Kettle mounted on heavy stainless steel tubular stand with adjustable flanged feet. NSF-listed. ASME code-constructed and National Board registered for operation up to 25 PSI. Provide options and accessories as indicated.

### MAXIMUM PRESSURE (all models):

25 PSI (173 kPa) (optional higher working pressure is available)

### SHIPPING INFORMATION:

#### Approx. Weight:

20DS-KLT	235 lbs. (107 kg)
40DS-KLT	275 lbs. (125 kg)
60DS-KLT	309 lbs. (140 kg)
80DS-KLT	440 lbs. (200 kg)

**NOTE:** The company reserves the right to make substitutions of components without prior notice.

	20DS-KLT	40DS-KLT	60DS-KLT	80DS-KLT
<b>A</b>	20 (508)	26 (660)	30 (762)	32 (813)
<b>B</b>	18.5 (470)	22 (559)	25 (635)	29 (737)
<b>C</b>	36 (914)	36 (914)	44 (1118)	48 (1219)
<b>D</b>	13 (330)	17 (432)	19 (483)	20 (508)
<b>E</b>	20.13 (511)	23.75 (603)	25.75 (654)	26.75 (680)
<b>F</b>	16.13 (410)	19.25 (489)	21.25 (540)	22.25 (565)
<b>G</b>	23.63 (600)	23.5 (597)	29.25 (743)	31.25 (794)
<b>H</b>	0.75 (19)	0.75 (19)	0.75 (19)	0.75 (19)
<b>J</b>	0.75 (19)	0.75 (19)	0.75 (19)	0.75 (19)
<b>K</b>	10.63 (270)	6.5 (165)	10.25 (260)	11.25 (286)
<b>L</b>	21 (533)	32 (813)	31 (787)	31 (787)
<b>M</b>	12.31 (313)	15.31 (389)	17.31 (440)	18.75 (476)
<b>N</b>	13.38 (340)	15 (381)	16.75 (426)	16.75 (426)
<b>P</b>	9.5 (241)	12.5 (317)	12 (305)	13 (330)
<b>R</b>	12.5 (317)	13.5 (343)	14.5 (368)	13.75 (349)
<b>S</b>	15 (381)	11.5 (292)	16.5 (419)	16.5 (419)
<b>T</b>	14.75 (375)	11.25 (286)	16.25 (413)	16.25 (413)
<b>U</b>	36.25 (921)	43 (1092)	47 (1194)	49 (1245)
<b>V</b>	28.88 (733)	34.5 (876)	38.25 (972)	39.25 (997)
<b>W</b>	12.38 (314)	12.5 (318)	14.75 (375)	16.75 (426)

### BLODGETT

www.blodgett.com

44 Lakeside Avenue, Burlington, VT 05401 • Phone: (802) 658-6600 • Fax: (802) 864-0183