



CB-E
Electric Steam Boiler



CB-36E shown

OPTIONS AND ACCESSORIES

(AT ADDITIONAL CHARGE)

■ **Voltage Options**

- 220 VAC, 1 or 3 phase, 60 Hz (24 kW models only)
- 380 VAC, 3 phase, 60 Hz
- 415 VAC, 3 phase, 60 Hz
- 480 VAC, 3 phase, 60 Hz
- 415/240 VAC, 3 phase, 4 wire
- 380/220 VAC, 3 phase, 4 wire
- 600 VAC, 3 phase, 60 Hz

■ **Foot Options**

- Front flanged feet
- Rear flanged feet
- Pressure reducing valve
- Stainless steel rear panel
- Stainless steel frame
- Split water lines
- Steam take off kit
- Water in "Y" strainer
- Ball float trap
- One year extended warranty



Project _____

Item No. _____

Quantity _____

- Model CB24-24E (24" wide 24 kW electric boiler base cabinet)
- Model CB36-24E (36" wide 24 kW electric boiler base cabinet)
- Model CB24-36E (24" wide 36 kW electric boiler base cabinet)
- Model CB36-36E (36" wide 36 kW electric boiler base cabinet)
- Model CB24-42E (24" wide 42 kW electric boiler base cabinet)
- Model CB36-42E (36" wide 42 kW electric boiler base cabinet)
- Model CB24-48E (24" wide 48 kW electric boiler base cabinet)
- Model CB36-48E (36" wide 48 kW electric boiler base cabinet)

CONSTRUCTION

- Full perimeter painted angle iron frame
- Reinforced counter and boiler mountings
- Stainless steel exterior
- Hinged door(s) with magnetic latch
- 6" (152 mm) stainless steel legs with adjustable bullet feet on front and adjustable flanged feet on rear
- All piping is confined within cabinet

OPERATION

- Automatic water level control
- Automatic boiler blowdown
- Pressure gauge
- Water gauge glass
- Pressure control with pressure safety control
- Safety relief valve
- Cathodic protector
- Steam trap
- On/Off switch with indicator light
- CSD-1 secondary low water cut off

CAPACITY

Model	Capacity	
	kW	lbs/hr.
CB24-24E & CB36-24E	24	69
CB24-36E & CB36-36E	36	107
CB24-42E & CB36-42E	42	128
CB24-48E & CB36-48E	48	148

STANDARD FEATURES

- 15 PSI (103 kPa) boiler rated at
 - 208VAC, 1 phase, 60 Hz - 24 kW models only
 - 208VAC, 3 phase, 60 Hz - 24 or 36 kW models only
 - 240VAC, 1 phase, 60 Hz - 24 kW models only
 - 240VAC, 3 phase, 60 Hz - 42 and 48 kW models only
- One year parts and labor warranty*

* For all international markets, contact your local distributor.

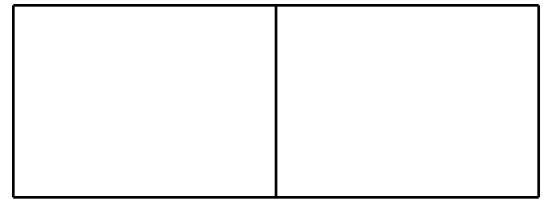
CB-E ELECTRIC STEAM BOILER

BLODGETT

44 Lakeside Avenue, Burlington, VT 05401
Toll Free: (800) 331-5842 • Phone: (802) 860-3700 • Fax: (802) 864-0183



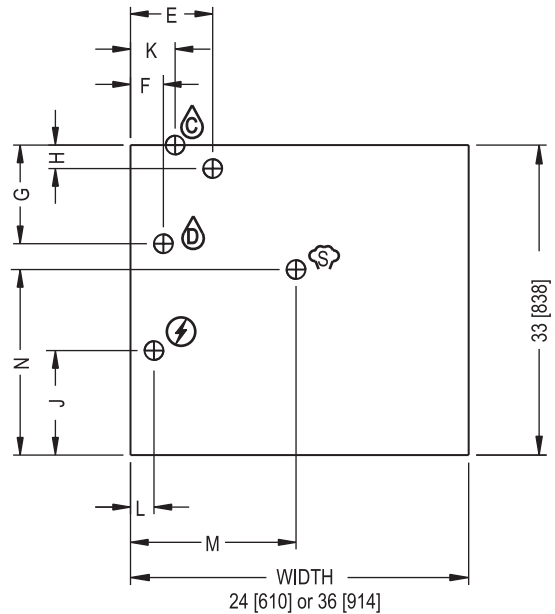
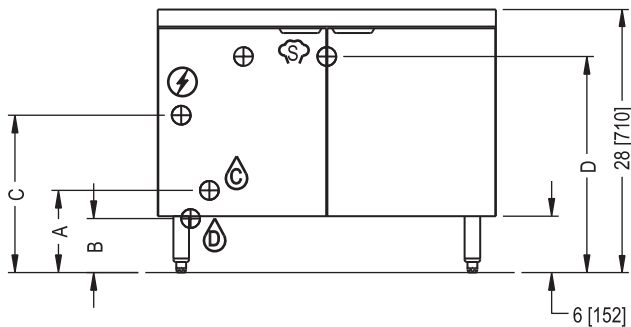
CB-E ELECTRIC STEAM BOILER



APPROVAL/STAMP

DIMENSIONS ARE IN INCHES [MM]

NOTE: PRESSURE REDUCING VALVE -OPTIONAL



MODEL	A	B	C	D	E	F	G	H	J	K	L	M	N	P
24" models	8.75[222]	5.75[146]	16.75[425]	23[584]	8.75[222]	3.5[89]	10.5[267]	2.5[64]	11.12[283]	2.75[70]	2.5[64]	13[330]	19.75[502]	4.75[121]
36" models	8.75[222]	5.75[146]	16.75[425]	23[584]	18[457]	3.5[89]	10.5[267]	2.5[64]	11.12[283]	4.75[121]	2.5[64]	21.25[540]	19.75[502]	6.75[171]

SHORT FORM SPECIFICATIONS

Provide Blodgett model CB24-24E (24kW), CB24-36E (36kW), CB24-42E (42kW) or CB24-48E (48kW) 24" wide electric steam boiler cabinet, or CB36-24E (24kW), CB36-36E (36kW), CB36-42E (42kW) or CB36-48E (48kW) 36" wide electric steam boiler cabinet. Polished stainless steel cabinet base shall be of modular design to match other Blodgett steam equipment. Unit shall have 6" (152mm) stainless steel legs and adjustable bullet feet, reinforced stainless steel counter top and hinged doors with magnetic latches. All piping shall be confined within the cabinet. Unit shall be automatically filled with water and brought to pressure when power switch is turned on. Cold water condenser shall automatically condense exhausted steam in water before releasing it to drain. Boiler controls shall include automatic water level, pressure gauge, water gauge glass, pressure control with pressure safety control, safety relief valve, cathodic protector and CSD-1 secondary low water cut off. Boiler shall be ASME code stamped and National Board registered. Provide options and accessories as indicated.

WATER SUPPLY:

Water quality is a major factor affecting the performance of your steamer. If you are unsure of water quality, consult a local water treatment specialist and have the water analyzed. Your water supply must be within these general guidelines:

Total dissolved solids: Less than 60 PPM Total alkalinity: Less than 20 PPM
 Silica: Less than 13 PPM Chlorine: Less than 1.5 PPM
 pH Factor: 7.0 - 8.5

Water which fails to meet these standards should be treated by installation of a water conditioner. Failure or malfunction of this steamer due to poor water quality is not covered under warranty.

Appliance is to be installed with backflow protection in accordance with Federal, State or Local codes.

WATER & DRAIN CONNECTIONS:

Drain 2" (51mm) IPS piped to open floor drain. No solid connection.
 24" length before open air opening (no bends or elbows)
 Cold Water 3/8" (10mm) tubing at 25-50 PSI (170-345 kPa)
 Steam Take Off 3/4" IPS optional to operate adjacent equipment

NOTE: The company reserves the right to make substitutions of components without prior notice.

		AMPS PER LINE					
kW	Phase	208V	220V	240V	380V	415V	480V
24	1	115.4	109.1	100.0	N/A	N/A	N/A
	3	66.6	62.9	57.7	36.5	33.4	28.9
36	3	99.9	94.5	86.6	54.7	50.1	43.3
42	3	116.6	110.2	101.0	63.8	58.4	50.5
48	3	N/A	N/A	115.5	72.9	66.8	57.7

POWER SUPPLY:

208, 220 or 240 VAC, 3 phase 60 Hz w/grounding wire

SHIPPING INFORMATION:

Approx. Weight:

CB24-24E	400 lbs. (181 kg)	CB24-42E	400 lbs. (181 kg)
CB36-24E	440 lbs. (200 kg)	CB36-42E	425 lbs. (193 kg)
CB24-36E	400 lbs. (181 kg)	CB24-48E	400 lbs. (181 kg)
CB36-36E	425 lbs. (193 kg)	CB36-48E	425 lbs. (193 kg)

BLODGETT

44 Lakeside Avenue, Burlington, VT 05401

Toll Free: (800) 331-5842 • Phone: (802) 860-3700 • Fax: (802) 864-0183