



## KTG-E

Electric Table Top Kettle  
with Gear Box Tilt Mechanism



### OPTIONS AND ACCESSORIES

(AT ADDITIONAL CHARGE)

#### ■ Voltage options

- 220 VAC, 1 phase, 60 Hz
- 220 VAC, 3 phase, 60 Hz
- 380 VAC, 3 phase, 60 Hz
- 415 VAC, 3 phase, 60 Hz
- 480 VAC, 3 phase, 60 Hz
- 415/240 VAC, 3 phase, 4 wire, 60 Hz
- 380/220 VAC, 3 phase, 4 wire, 60 Hz
- 600 VAC, 3 phase, 60 Hz

#### ■ Faucets

- Single pantry faucet with swing spout
- Double pantry faucet with swing spout

#### ■ Etched markings

- Gallons
- Litres
- 18" (46 mm) high stainless steel stand with sliding drawer and stationary drain
- One piece stainless steel lift off cover
- Stainless steel perforated basket
- Graduated measuring strip
- Pour strainer
- Corrections package

Project \_\_\_\_\_

Item No. \_\_\_\_\_

Quantity \_\_\_\_\_

- Model KTG-6E - 6 gallon (23 litres) electric kettle with gear box tilt
- Model KTG-10E - 10 gallon (38 litres) electric kettle with gear box tilt
- Model KTG-12E - 12 gallon (45 litres) electric kettle with gear box tilt

### CONSTRUCTION

- Water resistant construction
- 304 stainless steel construction
- 316 stainless steel interior cooking surface for added corrosion resistance
- 2/3 jacketed with factory sealed distilled water enclosure
- Hemispherical design on bottom of kettle for superior heat circulation
- Stainless steel control housing
- Stainless steel console and trunnion
- Concealed mounting lugs for bolting unit to counter top

### OPERATION

- Electrically self-generated closed steam system
- Integrally mounted controls
- Power switch
- Thermostat
- Cook indicator light
- Pressure gauge
- Safety valve
- Low water light
- Low water shut off
- 165-290°F (75-140°C) temperature range

### STANDARD FEATURES

- Removable elements
- Hand crank, smooth action, self-locking tilt mechanism for positive stop action that tilts past 90°
- Solid state temperature control
- Mounts to countertop (optional stand available)
- Stainless steel faucet bracket
- Standard voltage options
  - 208 VAC, 1 or 3 phase, 60 Hz
  - 240 VAC, 1 or 3 phase, 60 Hz
- One year parts and labor warranty\*

\* For all international markets, contact your local distributor.



KTG-E TABLE TOP TILTING KETTLE

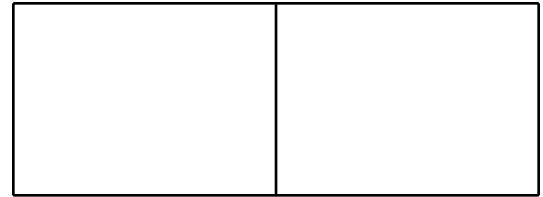
### BLODGETT

44 Lakeside Avenue, Burlington, VT 05401

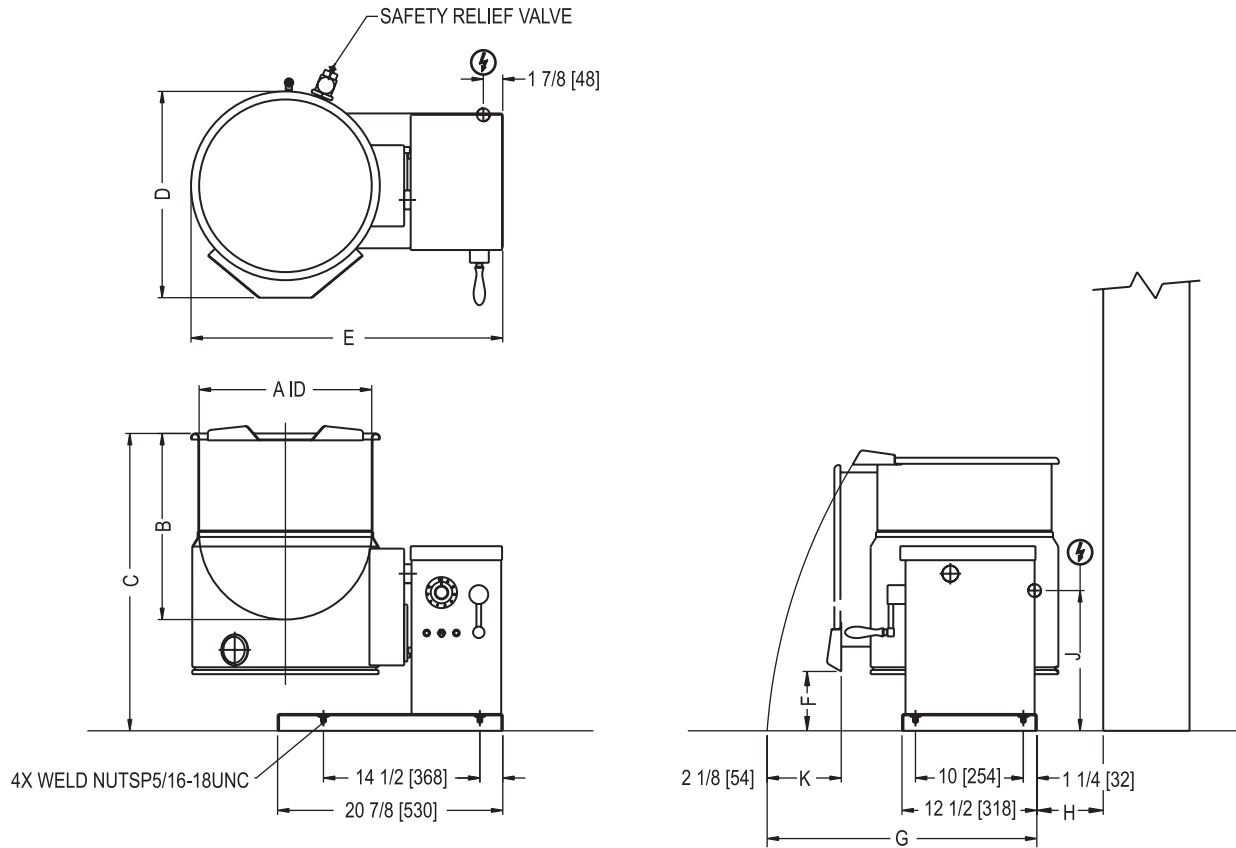
Toll Free: (800) 331-5842 • Phone: (802) 860-3700 • Fax: (802) 864-0183



# KTG-E TABLE TOP TILTING KETTLE



APPROVAL/STAMP



MODEL	A	B	C	D	E	F	G	H	J	K
KTG-6E	12[305]	14.38[365]	25[635]	15.25[387]	25.125[638]	4[102]	28[711]	6.125[156]	13[330]	12.75[324]
KTG-10E	16[406]	15[381]	25.3[643]	19.125[486]	28.875[734]	4[102]	28[711]	6.125[156]	13[330]	12.75[324]
KTG-12E	16[406]	17.25[438]	27.56[700]	19.125[486]	28.875[734]	4[102]	30[762]	6.125[156]	13[330]	12.75[324]

## SHORT FORM SPECIFICATIONS

Provide Blodgett model KTG-6E (6 gallon), KTG-10E (10 gallon) or KTG-12E (12 gallon) electrically heated counter kettle with gearbox tilt mechanism. The unit shall have a double wall interior to form a steam jacket around the lower 2/3 of the kettle. The jacket enclosure shall contain distilled water which is factory sealed. The bottom of the kettle shall be of hemispherical design for superior heat circulation. The unit base shall include the kettle mounting lugs concealed inside a rectangular enclosure and a stainless steel mechanism housing. The unit shall have a permanently lubricated, self locking, self contained gearbox tilt mechanism for smooth action, easy one hand tilting. Construction shall be of all welded satin finish 304 stainless steel. The interior cooking surface shall be 316 stainless steel. The controls shall be integrally mounted, water resistant, and shall include a power switch, thermostat with range of 165-290°F (75-140°C), a cook indicator light, pressure gauge, safety valve, low water light and low water shut off. Unit shall be ASME constructed and National Board registered. Provide options and accessories as indicated.

## MAXIMUM PRESSURE:

All models 50 PSI (345 kPa)

## MAXIMUM INPUT:

KTG-6E 7.5 kW

KTG-10E 12 kW

KTG-12E 12 kW

## SHIPPING INFORMATION:

### Approx. Weight:

KTG-6E 155 lbs. (70 kg)

KTG-10E 205 lbs. (93 kg)

KTG-12E 220 lbs. (100 kg)

## POWER CONNECTION:

Refer to data plate.

		AMPS PER LINE					
KW	PHASE	208V	220V	240V	380V	415V	480V
7.5	1	36.0	34.1	31.3	N/A	N/A	N/A
	3	20.8	19.7	18.1	11.4	10.4	9.0
12	1	57.6	54.5	50.0	N/A	N/A	N/A
	3	33.3	31.5	28.9	18.3	16.7	14.5

**NOTE:** The company reserves the right to make substitutions of components without prior notice.

## BLODGETT

44 Lakeside Avenue, Burlington, VT 05401

Toll Free: (800) 331-5842 • Phone: (802) 860-3700 • Fax: (802) 864-0183