



KTT-DS

Direct Steam Table Top Tilting Kettle



Project _____

Item No. _____

Quantity _____

- Model KTT-6DS - 6 gallon (23 litres) direct steam tilting kettle
- Model KTT-10DS - 10 gallon (38 litres) direct steam tilting kettle
- Model KTT-12DS - 12 gallon (45 litres) direct steam tilting kettle
- Model KTT-20DS - 20 gallon (76 litres) direct steam tilting kettle

CONSTRUCTION

- Water resistant construction
- 304 stainless steel construction
- 316 stainless steel interior cooking surface for added corrosion resistance
- 2/3 jacketed
- Hemispherical design on bottom of kettle for superior heat circulation
- Tilt mechanism permits kettle to tilt forward 90° to empty
- Tubular stainless steel legs containing steam control valve and condensate return pipes

STANDARD FEATURES

- Reversible operating handle with heat proof knob
- Steam control valve mounted in leg
- One year parts and labor warranty*

* For all international markets, contact your local distributor.

KTT-DS TABLE TOP TILTING KETTLE

OPTIONS AND ACCESSORIES

(AT ADDITIONAL CHARGE)

- Etched markings
 - Gallons
 - Litres
- 18" (46 mm) high stainless steel stand with sliding shelf
- One piece stainless steel lift off cover
- Stainless steel perforated basket
- Steam control assembly consisting of line strainer, check valve, steam trap and safety valve
- Pour strainer
- Kettle table



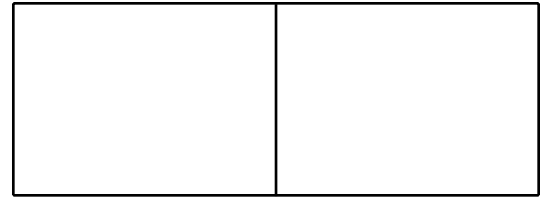
BLODGETT

44 Lakeside Avenue, Burlington, VT 05401

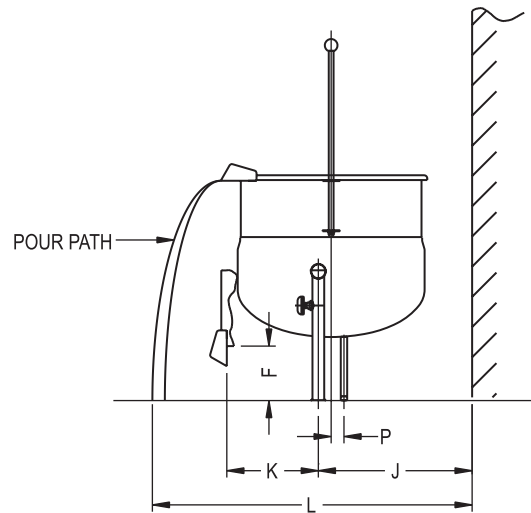
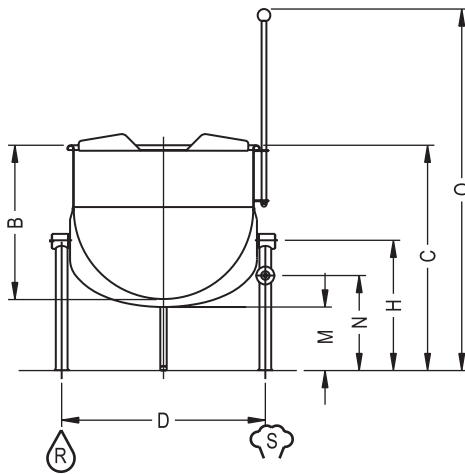
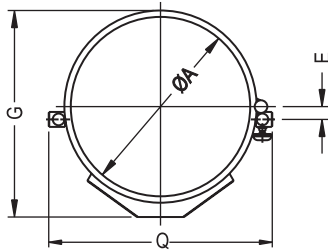
Toll Free: (800) 331-5842 • Phone: (802) 860-3700 • Fax: (802) 864-0183



KTT-DS TABLE TOP TILTING KETTLE



APPROVAL/STAMP



DIMENSIONS ARE IN INCHES [MM].

MODEL	A	B	C	D	E	F	G	H	J	K	L	M	N	O	P	Q
KTT-6DS	12[305]	14.5[368]	19.5[495]	13.75[349]	5[127]	7.5[191]	15.1[384]	8.5[216]	12.25[311]	10.4[264]	30.25[768]	4[102]	4.38[111]	34.1[867]	0[0]	15.75[400]
KTT-10DS	16[406]	15[381]	18.5[470]	13.75[349]	7[178]	7.75[197]	19.1[486]	9[229]	16.25[413]	8.88[225]	32.25[819]	2.38[60]	4.88[124]	33.1[841]	0[0]	15.75[400]
KTT-12DS	16[406]	17[432]	20.5[521]	13.75[349]	7[178]	7.75[197]	19.1[486]	9[229]	16.25[413]	10.88[276]	39.5[1003]	2.38[60]	4.88[124]	33.1[841]	0[0]	15.75[400]
KTT-20DS	21[533]	18[457]	26.5[673]	23.5[597]	1.5[38]	6.25[159]	24.1[613]	15.25[387]	15.75[400]	10.5[267]	40.5[1029]	7.5[191]	11.12[283]	42.4[1076]	1.5[38]	26[660]

SHORT FORM SPECIFICATIONS

Provide Blodgett model KTT-6DS (6 gallon), KTT-10DS (10 gallon), KTT-12DS (12 gallon) or KTT-20DS (20 gallon) direct steam counter tilting kettle. The unit shall have a double wall interior to form a steam jacket around the lower 2/3 of the kettle. The bottom of the kettle shall be of hemispherical design for superior heat circulation. Steam control valve mounted in leg. The tubular stainless steel mounting legs shall have the steam supply and condensate return pipes completely concealed within the leg members. The sealed stainless steel tilt mechanism bearings shall permit the kettle to tilt forward 90° for complete emptying. A removeable operating handle with heat proof knob shall be mounted on the left or right. Unit shall have a single support leg with nylon insert. Construction shall be all welded satin finish 304 stainless steel with a 316 stainless steel liner. Unit shall be ASME code stamped and National Board registered. Provide options and accessories as indicated.

PIPING REQUIREMENTS:

Steam Supply 1/2" IPS
 Condensate Return 1/2" IPS

STEAM PRESSURE:

Minimum 5 PSI (34 kPa)
 Maximum 50 PSI (345 kPa)

Pressure reducing valve required if incoming steam pressure exceeds the kettle rating.

SHIPPING INFORMATION:

Approx. Weight:

KTT-6DS 75 lbs. (34 kg)
 KTT-10DS 90 lbs. (41 kg)
 KTT-12DS 100 lbs. (45 kg)
 KTT-20DS 125 lbs. (57 kg)

NOTE: The company reserves the right to make substitutions of components without prior notice.

BLODGETT

44 Lakeside Avenue, Burlington, VT 05401
 Toll Free: (800) 331-5842 • Phone: (802) 860-3700 • Fax: (802) 864-0183