

## GENERAL INFORMATION

**Project Name:** \_\_\_\_\_  
**Item:** \_\_\_\_\_  
**Quantity:** \_\_\_\_\_  
**Model:** CP-120 \_\_\_\_\_  
**Length:** \_\_\_\_\_

## GENERAL SPECIFICATION

### Materials

- 14-Gauge Brushed Finish Type 304 Stainless Interior Pan Liner
- 20-Gauge Brushed Finish Type 304 Stainless Exterior
- Pressure Foamed Insulation
- 1/2" Drain with Ball Valve and 60" Clear PVC Drain Tube

### Construction

- NSF Standard 2 Construction
- Coved Corner Pan

## EXTERIOR MATERIAL OPTIONS

- Hardwood Veneer: Type \_\_\_\_\_  
 Hardwood (Solid): Type \_\_\_\_\_  
 Plastic Laminate: Color \_\_\_\_\_  
 Solid Surface: Color \_\_\_\_\_

## EXTERIOR FINISH OPTIONS

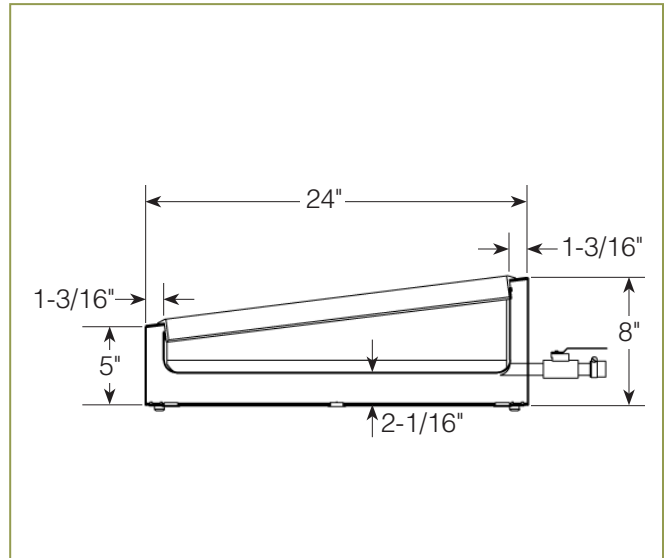
- Sand Blast  
 Mirror Polished  
 Stain: Type \_\_\_\_\_  
 Powder Coat: Color \_\_\_\_\_

## CP-120

### Counter-Top Marche Style Cold Pan



Shown without drain.



MODEL	CP-120-2424	CP-120-2430	CP-120-2436	CP-120-2442	CP-120-2448
<b>Length</b>	24"	30"	36"	42"	48"
<b>Width</b>	24"	24"	24"	24"	24"
<b>Net Weight</b>	40 lbs.	47 lbs.	55 lbs.	64 lbs.	73 lbs.
<b>Shipping Weight</b>	57 lbs.	63 lbs.	74 lbs.	85 lbs.	97 lbs.
<b>Cubes</b>	7	7	8	9	11

## \* Approval Drawings Required

Printed in the U.S.A. (January 2013) BSI, LLC  
 Specifications subject to change without notice.

Rv. 5