

## FTD

### Floor Trough Drain

#### GENERAL INFORMATION

**Project Name:** \_\_\_\_\_  
**Item:** \_\_\_\_\_  
**Quantity:** \_\_\_\_\_  
**Model:** \_\_\_\_\_ FTD \_\_\_\_\_  
**Length:** \_\_\_\_\_

#### GENERAL SPECIFICATION

##### Materials

- 14 Gauge Brushed Finish Type 304 Stainless
- 6" Diameter Box Pattern Stainless Drain
- Removable Perforated Stainless Basket
- 12 Gauge Brushed Finish Perforated Cover with two 1/2" Center Drain Hole

##### Construction

- NSF Standard 2 Construction
- Covered Corner Pan
- 3-15/16" I.D. 6" Long Stainless Tailpiece

#### TROUGH MATERIAL OPTIONS

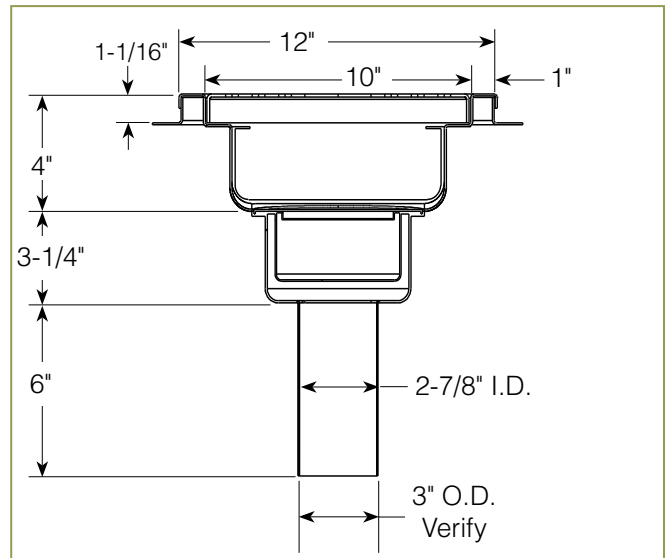
- 12 Gauge Brushed Finish Stainless
- Type 316 Stainless

#### TROUGH FINISH OPTIONS

- Sand Blast
- Mirror Polished

#### GRATE TYPE OPTIONS

- 1/8" x 1" Stainless Subway Grate
- 3/16" x 1" Stainless Subway Grate
- 1/4" x 1" Stainless Subway Grate
- Anti-Slip Fiberglass Grating
- Custom Bar Centerlines: Dimensions \_\_\_\_\_
- Type 316 Stainless



#### OTHER OPTIONS

- 1/4" Stainless Rod J-Anchors around Trough Exterior

#### MODELS AND DIMENSIONS

Sizes WxL	12"
12"	FTD-1212

#### \* Approval Drawings Required

Printed in the U.S.A. (January 2011) BSI, LLC  
 Specifications subject to change without notice.

Revision 5.0

