

GENERAL INFORMATION

Project Name: _____
Item: _____
Quantity: _____
Model: HDD-INF-NF- _____
Length: _____

DESCRIPTION

BSI's HDD-INF-NF Round Glass Ceramic Heated Drop-in Display combines European styling and elegance with excellent thermal conductivity to facilitate outstanding presentation and holding of hot food products. The form vs. function dilemma becomes moot as the black glass ceramic surface of the HDD-INF-NF highlights food rather than overwhelms it.

The HDD-INF-NF is the ideal heated display solution for use on heat sensitive counter tops. The extraordinary directional thermal properties of the glass ceramic surface transmit heat up through the top rather than out through the sides. While the operating surface is hot, the enclosure remains cool to the touch. The unit is so efficient that 120V operation is standard for all sizes.

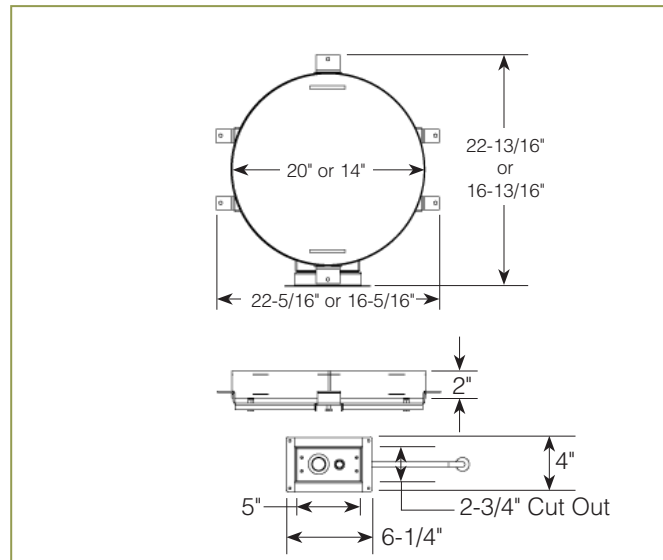
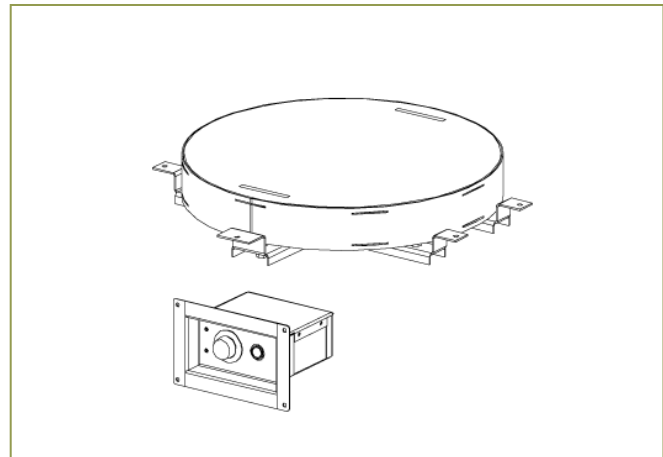
Heat is distributed evenly over the surface of the HDD-INF-NF. Surface temperatures of up to 250°F can be set and maintained through the infinite control.

The HDD-INF-NF comes standard with the easily cleanable matte black ceramic top. The flangeless models use a single bead of silicone. There is a seamless transition from the counter to the heated display.

BSI offers a variety of DECO-TECH food shields and heat lamp accessories that can be matched with the HDD-INF-NF to create a complete solution to your heated food display needs.

HDD-INF-NF

Round Glass Ceramic Heated Drop-in Display



MODEL	HDD-INF-NF-14	HDD-INF-NF-20
DIAMETER	14"	20"
FRAME SIZE	16-5/16" x 16-3/16"	22-5/16" x 22-3/16"
COUNTER CUTOUT SIZE	14-5/16"	20-5/16"
CONTROL BOX CUTOUT SIZE	5" x 2-3/4"	5" x 2-3/4"
ELECTRICAL SERVICES	120V/4.5A	120V/6.7A

* Counter Top Thickness Must Be Specified

* Approval Drawings Required

Printed in the U.S.A. (January 2011) BSI, LLC
 Specifications subject to change without notice.

Revision 5.0

