

## GENERAL INFORMATION

**Project Name:** \_\_\_\_\_  
**Item:** \_\_\_\_\_  
**Quantity:** \_\_\_\_\_  
**Model:** HSIUS  
**Length:** \_\_\_\_\_

## GENERAL SPECIFICATION

### Materials

- 14 Gauge Brushed Finish Type 304 Stainless Utility Sink Top, Tub and Front Splash Panel
- 18 Gauge Brushed Finish Type 304 Stainless Hand Sink and Body Panels
- 4" Diameter Brasket Drains
- 1/8" x 1" Stainless Flat Bar and 1/2" Round Stainless Utility Sink Grate

### Construction

- NSF Standard 2 Construction
- Fully Welded Coved Corner Sinks
- Marine Edge around Utility Sink Top
- Removable Plumbing Side Access Panels

## MATERIAL OPTIONS

- All 14 Gauge Brushed Finish Stainless
- Type 316 Stainless

## SINK FAUCET OPTIONS

- Fischer #3110 Single Deck Dual Control Faucet with 6" Swing Spout
- Infrared Faucet

## UTILITY SINK FAUCET OPTIONS

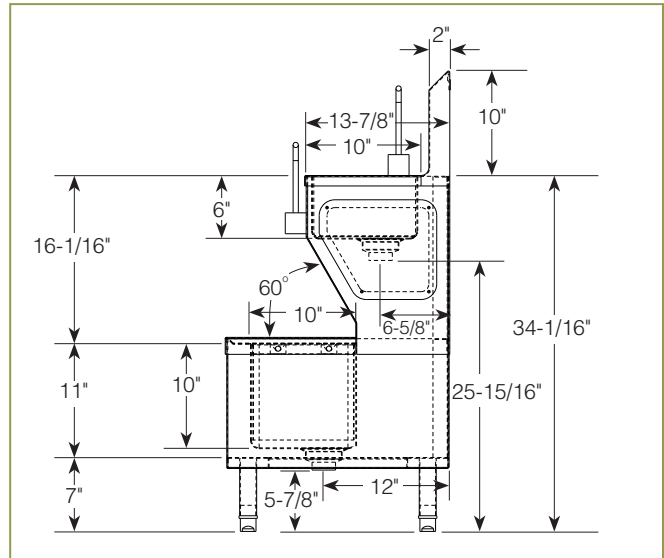
- Fischer #3710 Single Deck Dual Control Faucet with 6" Swing Spout
- Fischer #2740 Pot Filler with Swivel Hose Adapter and Vacuum Breaker

## OTHER OPTIONS

- All 14 Gauge Brushed Finish Stainless Curb Base

## HSIUS

### Hand Sink with Integral Utility Sink



*This unit can be plumbed in the field to a floor drain if available or to a 1-1/2" drain pipe. 1/2" MPT for cold water connection only with less than 45 psi.*

## \* Approval Drawings Required

Printed in the U.S.A. (June 2011) BSI, LLC  
 Specifications subject to change without notice.

Revision 5.0

