

GENERAL INFORMATION

Project Name: _____
 Item: _____
 Quantity: _____
 Model: _____ HSTC-ST _____
 Length: _____

GENERAL SPECIFICATION

Materials

- 14 Gauge Brushed Finish Type 304 Stainless Hand Sink, 18 Gauge Body Panels and 7 Gallon Trash Can
- Mini Basket Drain

Construction

- NSF Standard 2 Construction
- Fully Welded Covered Corner Sinks
- Marine Edge around Utility Sink Top
- Removable Front for Plumbing Access
- 28" Height for ADA Compliance when Mounted 6" off of Floor
- Designed to be Wall Mounted
- Trash Can is Removable for Cleaning and Plumbing Access

MATERIAL OPTIONS

- All 14 Gauge Brushed Finish Stainless
- Type 316 Stainless

SINK FAUCET OPTIONS

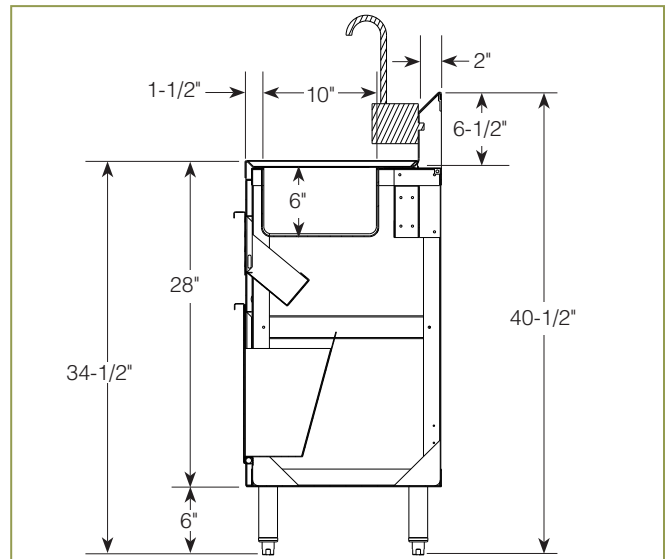
- Fischer #3110 Single Deck Dual Control Faucet with 6" Swing Spout
- Infrared Faucet

OTHER OPTIONS

- All 14 Gauge Brushed Finish Stainless Curb Base
- 6" Stainless Legs

HSTC-ST

Hand Sink with Trash Can and Soap and Towel Dispenser



This unit can be plumbed in the field to a floor drain if available or to a 1-1/2" drain pipe. 1/2" MPT for cold water connection only with less than 45 psi.

* Approval Drawings Required

Printed in the U.S.A. (June 2011) BSI, LLC
 Specifications subject to change without notice.

Revision 5.0

