

GENERAL INFORMATION

Project Name: _____
Item: _____
Quantity: _____
Model: _____ HTC-INF
Length: _____

DESCRIPTION

BSI's HTC-INF glass ceramic heated display combines European styling and elegance with excellent thermal conductivity to facilitate outstanding presentation and holding of hot food products. The form vs. function dilemma becomes moot as the black glass ceramic surface of the HTC-INF highlights food rather than overwhelms it.

The HTC-INF is the ideal heated display solution for use on heat sensitive counter tops. The extraordinary directional thermal properties of the glass ceramic surface transmit heat up through the top rather than out through all sides. While the operating surface is hot, the enclosure remains cool to the touch. The unit is so efficient that 120V operation is standard for all sizes.

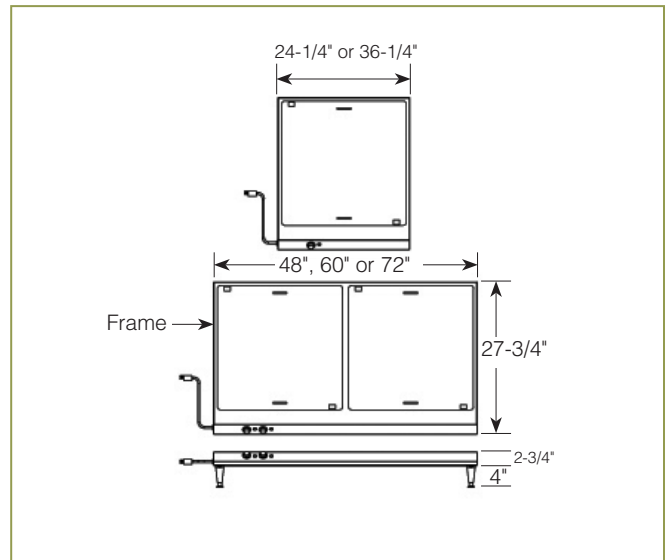
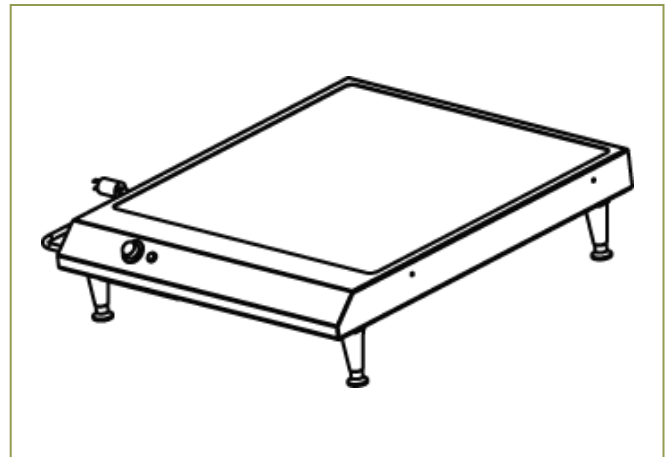
Heat is distributed evenly over the surface of the HTC-INF. Surface temperatures of up to 250° F can be set and maintained through the infinite control. Heated displays are for pre-heated items only.

The HTC-INF comes standard with the easily cleanable matte black ceramic top and a black enclosure. NSF requires units over 36" in width or weighing over 80 lbs. be raised off the installation surface with 4" legs (shipped loose).

BSI offers a variety of DECO-TECH food shields and heat lamp accessories that can be matched with the HTC-INF to create a complete portable solution to your heated food display needs.

The HTC-INF is also available in the HTD-INF drop-in configuration. Photos are available on our website.

HTC-INF Glass Ceramic Heated Counter-Top Display



FRAME FINISH OPTIONS

- Brushed Stainless Frame
- Mirror Stainless Frame

MODEL	HTC-INF-24	HTC-INF-36	HTC-INF-48	HTC-INF-60	HTC-INF-72
LENGTH	24-1/4"	36-1/4"	48"	60"	72"
WIDTH	27-3/4"	27-3/4"	27-3/4"	27-3/4"	27-3/4"
ELECTRICAL SERVICES	120V/3.94A 500 WATTS	120V/6.12A 750 WATTS	120V/7.88A 1000 WATTS	120V/10.06A 1250 WATTS	120V/12.24A 1500 WATTS

* Approval Drawings Required