

GENERAL INFORMATION

Project Name: _____
Item: _____
Quantity: _____
Model: _____ HTD-INF-_____
Length: _____

DESCRIPTION

BSI's HTD-INF glass ceramic heated display combines European styling and elegance with excellent thermal conductivity to facilitate outstanding presentation and holding of hot food products.

The HTD-INF is the ideal heated display solution for use on heat sensitive counter tops. The extraordinary directional thermal properties of the glass ceramic surface transmit heat up through the top rather than out through all sides. While the operating surface is hot, the enclosure remains cool to the touch.

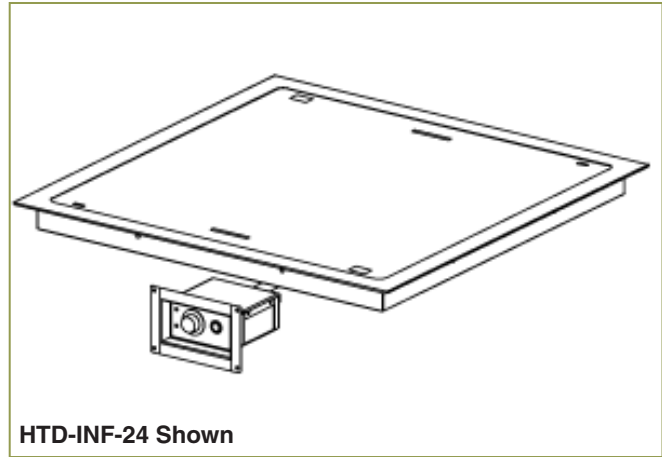
Heat is distributed evenly over the surface of the HTD-INF. Surface temperatures of up to 250° F can be set and maintained through the infinite control. Heated displays are for pre-heated items only.

The HTD-INF comes standard with the easily cleanable matte black ceramic top and a black enclosure. The control box is attached with a 6' flexible conduit and 6' cord and plug.

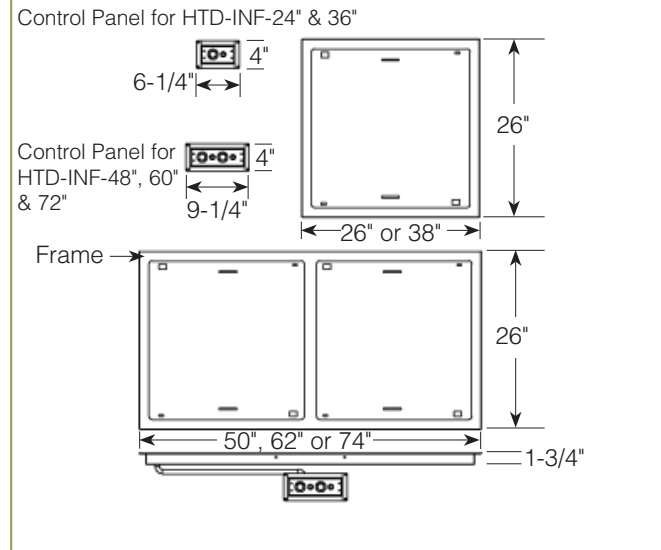
BSI offers a variety of DECO-TECH food shields and heat lamp accessories that can be matched with the HTD-INF to create a complete solution to your heated food display needs.

The HTD-INF is also available in the HTC-INF counter top configuration. Photos are available on our website.

HTD-INF Glass Ceramic Heated Drop-in Display



HTD-INF-24 Shown



MODEL	HTD-INF-24	HTD-INF-36	HTD-INF-48	HTD-INF-60	HTD-INF-72
LENGTH (cutout size)	26" (24-1/4")	38" (36-1/4")	50" (48-1/4")	62" (60-1/4")	74" (72-1/4")
WIDTH (cutout size)	26" (24-1/4")	26" (24-1/4")	26" (24-1/4")	26" (24-1/4")	26" (24-1/4")
CONTROL BOX (cutout size)	6-1/4" x 4" (5" x 2-3/4")	6-1/4" x 4" (5" x 2-3/4")	9-1/4" x 4" (8" x 2-3/4")	9-1/4" x 4" (8" x 2-3/4")	9-1/4" x 4" (8" x 2-3/4")
ELECTRICAL SERVICES	120V/4.5A	120V/6.7A	120V/8.9A	120V/10.06A	120V/13.4A
NET WEIGHT	40 lbs.	67 lbs.	102 lbs.	122 lbs.	157 lbs.
SHIPPING WEIGHT	62 lbs.	87 lbs.	122 lbs.	142 lbs.	177 lbs.

FRAME FINISH OPTIONS

- Brushed Stainless Frame
- Mirror Stainless Frame

* Approval Drawings Required

Printed in the U.S.A. (January 2011) BSI, LLC
 Specifications subject to change without notice.

Revision 5.0

