

## GENERAL INFORMATION

**Project Name:** \_\_\_\_\_  
**Item:** \_\_\_\_\_  
**Quantity:** \_\_\_\_\_  
**Model:** HTZ-INF- \_\_\_\_\_  
**Length:** \_\_\_\_\_

## DESCRIPTION

The HTZ-INF Portable Heated Display combines European styling to create the most sophisticated way to present and hold hot foods.

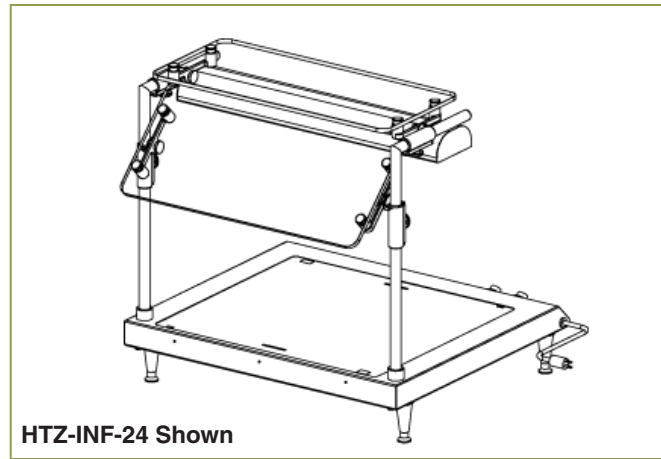
The HTZ-INF unites surface heat with overhead heat. The extraordinary directional thermal properties of the glass ceramic surface transmit heat up through the top rather than out through all sides. This, coupled with the super slim Stealth Light/Warmer offers the highest heat output with the lowest touch temperature in the industry.

For maximum flexibility, the HTZ-INF integrates a ZGuard food shield. Operator-Serve or self-serve, the choice is yours.

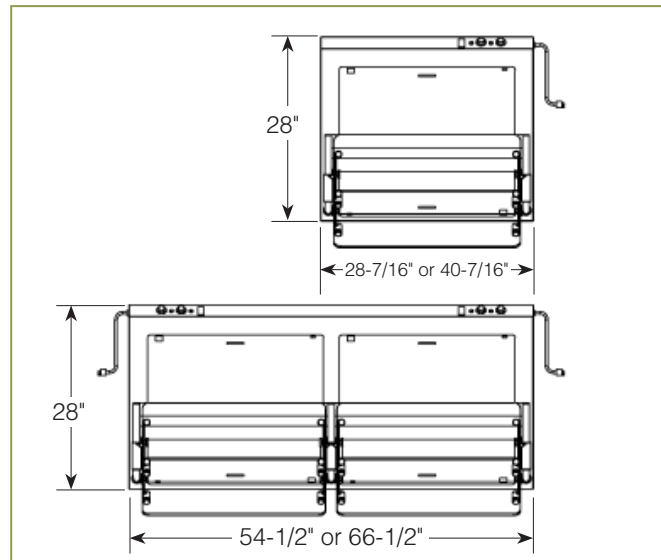
The HTZ-INF comes standard with the easily cleanable matte black ceramic top and black enclosure and food shield; however, your imagination is the limit when it comes to finishes. The HTZ-INF frame and food shield is available in dozens of NSF Listed colors and finishes. Modern or traditional decor, the HTZ-INF is beautiful in any environment. NSF requires units over 36" in width or weighing over 80 lbs. be raised off the installation surface with 4" legs (shipped loose).

Heat is distributed evenly over the surface of the HTZ-INF. Surface temperatures of up to 250° F can be set and maintained through the infinite control. Heated displays are for pre-heated items only.

## HTZ-INF Portable Heated Display



HTZ-INF-24 Shown



MODEL	HTZ-INF-24	HTZ-INF-36	HTZ-INF-48	HTD-INF-NF-60
LENGTH	28-7/16"	40-7/16"	54-1/2"	66-1/2"
WIDTH	28"	28"	28"	28"
ELECTRICAL SERVICES	120V/15A	120V/15A	120V/15A (2 plugs)	120V/15A (2 plugs)
NEMA CONFIG.	5-20P	5-20P	5-20P (2 plugs)	5-20P (2 plugs)
NET WEIGHT	106 lbs.	167 lbs.	236 lbs.	292 lbs.
SHIPPING WEIGHT	131 lbs.	192 lbs.	261 lbs.	317 lbs.

## ZGUARD FITTING FINISH OPTIONS

- #4 Brushed Stainless Steel
- #8 Mirror Polished Stainless Steel
- Powder Coated - Color \_\_\_\_\_

## DISPLAY FRAME FINISH OPTIONS

- #4 Brushed Stainless Steel
- #8 Mirror Polished Stainless Steel
- Black Powder Coated

### \* Approval Drawings Required

Printed in the U.S.A. (January 2011) BSI, LLC  
 Specifications subject to change without notice.

Revision 5.0

