

# BusBoy by

**NEMCO**  
FOOD EQUIPMENT

Commercial Food Waste  
Disposer Systems

JOB \_\_\_\_\_ ITEM # \_\_\_\_\_

## Commercial Disposer Model B1000 - 1 hp



### Application

The Bus Boy Model B1000 - 1 hp disposer is designed for intermediate-sized installations with predominantly average and some heavy food waste.

### Motor

Dual-directional 1 hp, totally enclosed for maximum protection against moisture. Fan-cooled with integral thermal overload protection. Dual voltage motors available in single phase 120/240 volts, 60 cycle; three phase 208-240/480 volts, 60 cycle. See Motor Data. Permanently lubricated bearing systems.

### Motor Data

Model B1000-1 hp-1725 rpm (60 cycle).

**Single Phase:** 120/240 Volts, 12.3/6.1 Amps. Overload Protection in Motor.

**Three Phase:** 208-240/480 Volts, 3.4/1.7 Amps. Overload Protection in Motor.

### Motor Shaft Seals

Dual independent motor shaft seal provides double protection of motor from water damage.

### Hopper

Corrosion-resistant with auxiliary water inlet. 6" throat opening.

### Grinding Table

6<sup>3</sup>/<sub>4</sub>" diameter, dynamically balanced cast chrome alloy, heat treated to 58-60 Rockwell C. Two permanently affixed impact lugs. Precision-ground to a tolerance of .005" to grinding sleeve for maximum grind ability.

### Grinding Sleeve

6<sup>3</sup>/<sub>4</sub>" diameter, cast chrome alloy, heat treated to 58-60 Rockwell C. Six permanently affixed primary breakup lugs and 48 precision grinding teeth.

### Waste Outlet

Waste outlet pipe size is 2".

### Mounting Assemblies

See reverse page. Cones - 12", 15" or 18" diameter, corrosion-resistant stainless steel. Sink or trough adapter flange, stainless steel, 6" diameter. All mounting assemblies include specially-designed neoprene silencer which isolates disposers from metal-to-metal contact, absorbs vibration and greatly reduces noise level.

### Adapters

Available for replacing other manufacturers' units with Bus Boy.

### Agency Data

Bus Boy Model B1000 - 1 hp is Underwriters' Laboratories, Inc., listed.

### Warranty

Warranted for one year covering parts and labor. All installations MUST be made in accordance with applicable local codes.

### Approximate Weight

61 lbs. shipping.

### Accessories

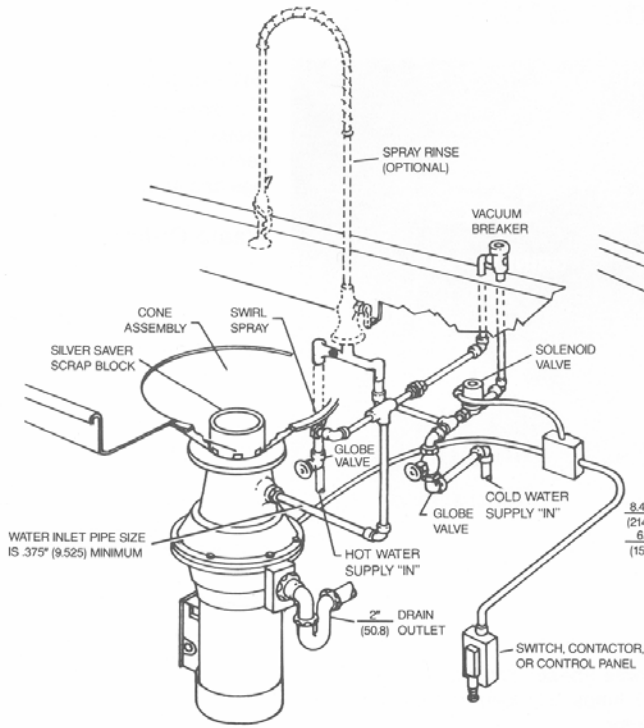
Consult Price List for Accessories, Cut-Down and Alternate Hoppers.

NEMCO FOOD EQUIPMENT  
301 Meuse Argonne • Hicksville, OH 43526 USA  
Phone (419) 542-7751 • Fax (419) 542-6690  
Toll Free (800) 782-6761  
[www.nemcofoodequip.com](http://www.nemcofoodequip.com)

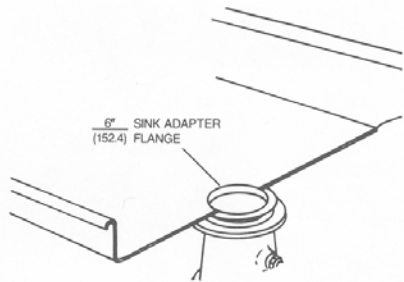
# Commercial Disposer Model B1000 - 1 hp

We reserve the right to change specifications and product design without notice. Such revisions do not entitle the buyer to corresponding changes, improvements, additions or replacements for previously purchased equipment.

NOTE: ALL FIGURES IN PARENTHESES ARE IN MILLIMETERS.

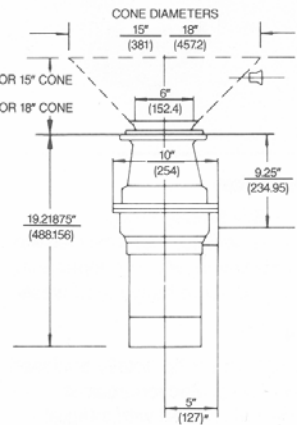


TYPICAL INSTALLATION



## SINK FLANGE INSTALLATION

MODEL B1000—DIMENSIONAL INFORMATION



**BusBoy by**

**NEMCO**  
FOOD EQUIPMENT