

## Commercial Disposer Model B2000 - 2 hp



### Application

The Bus Boy Model B2000 - 2 hp disposer is designed for use in medium to large food service operations with predominantly average and some heavy food waste.

### Motor

Dual-directional 2 hp, totally enclosed for maximum protection against moisture. Fan-cooled with integral thermal overload protection. Dual voltage motors available in three phase 208-220/440 volts, 60 cycle. See Motor Data. No single phase motors available.

### Motor Data

Model B2000 - 2 hp - 1725 rpm  
(60 cycle).

**Three Phase Only:** 208-220/440  
Volts, 6.7/3.4 Amps. Overload  
Protection in Motor.

### Motor Shaft Seals

Dual independent motor shaft seal provides double protection of motor from water damage.

### Hopper

Corrosion-resistant with auxiliary water inlet. 6" throat opening.

### Grinding Table

8" diameter, dynamically balanced cast chrome alloy, heat treated to 58-60 Rockwell C. Four permanently affixed impact lugs. Precision-ground to a tolerance of .005" to grinding sleeve for maximum grind ability.

### Grinding Sleeve

8" diameter, cast chrome alloy, heat treated to 58-60 Rockwell C. 16 permanently affixed primary breakup lugs and 48 precision grinding teeth.

### Waste Outlet

Waste outlet pipe size is 2".

### Mounting Assemblies

See reverse page. Cones - 12", 15" or 18" diameter, corrosion-resistant stainless steel. Sink or trough adapter flange, stainless steel, 6" diameter. All mounting assemblies include specially-designed neoprene silencer which isolates disposers from metal-to-metal contact, absorbs vibration and greatly reduces noise level.

### Adapters

Available for replacing other manufacturers' units with Bus Boy.

### Agency Data

Bus Boy Model B2000 - 2 hp is Underwriters' Laboratories, Inc., listed.

### Warranty

Warranted for one year covering parts and labor. All installations MUST be made in accordance with applicable local codes.

### Approximate Weight

90 lbs. shipping.

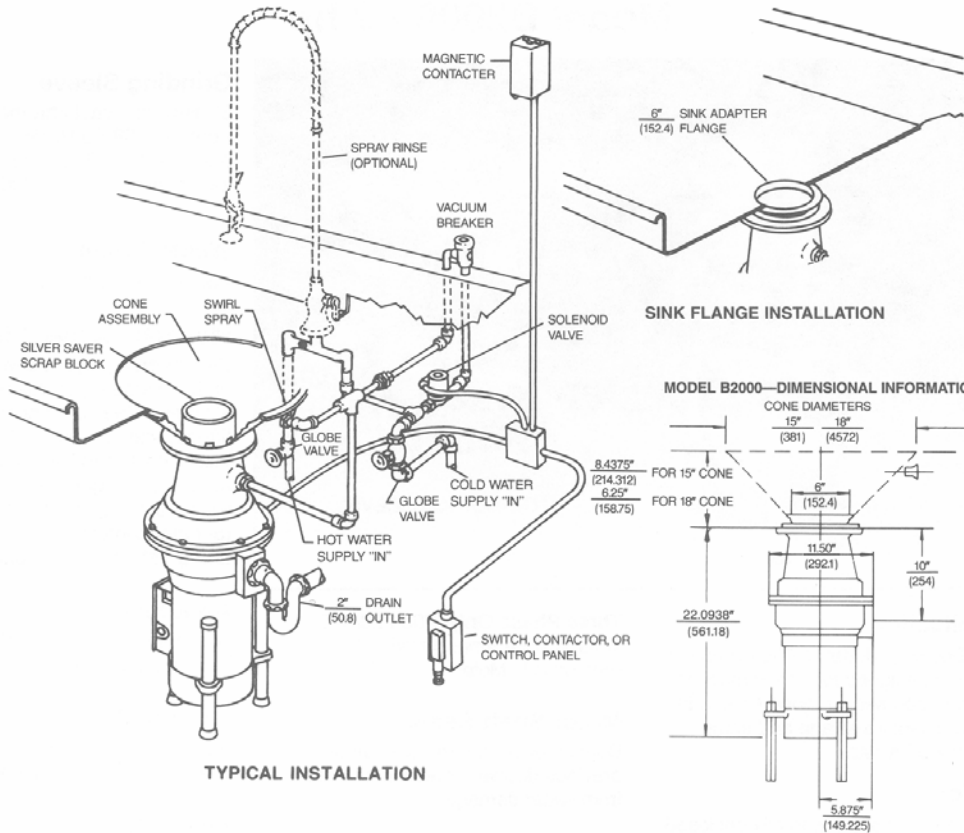
### Accessories

Consult Price List for Accessories, Cut-Down and Alternate Hoppers.

# Commercial Disposer Model B2000 - 2 hp

We reserve the right to change specifications and product design without notice. Such revisions do not entitle the buyer to corresponding changes, improvements, additions or replacements for previously purchased equipment.

NOTE: ALL FIGURES IN PARENTHESES ARE IN MILLIMETERS.



**Bus Boy**

by NEMCO

Printed in U.S.A.

1/01

NEMCO FOOD EQUIPMENT  
301 Meuse Argonne  
Hicksville, OH 43526 USA